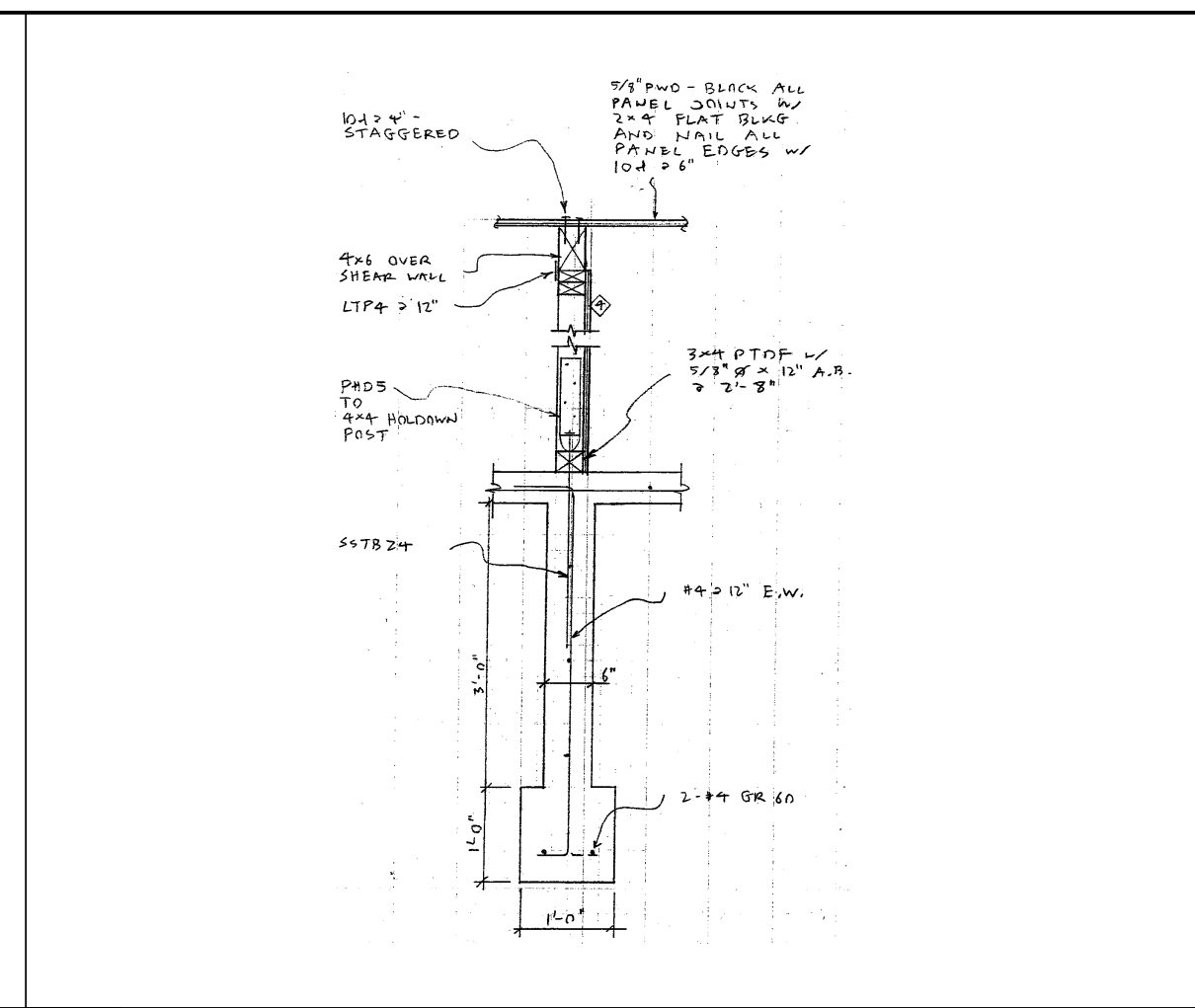




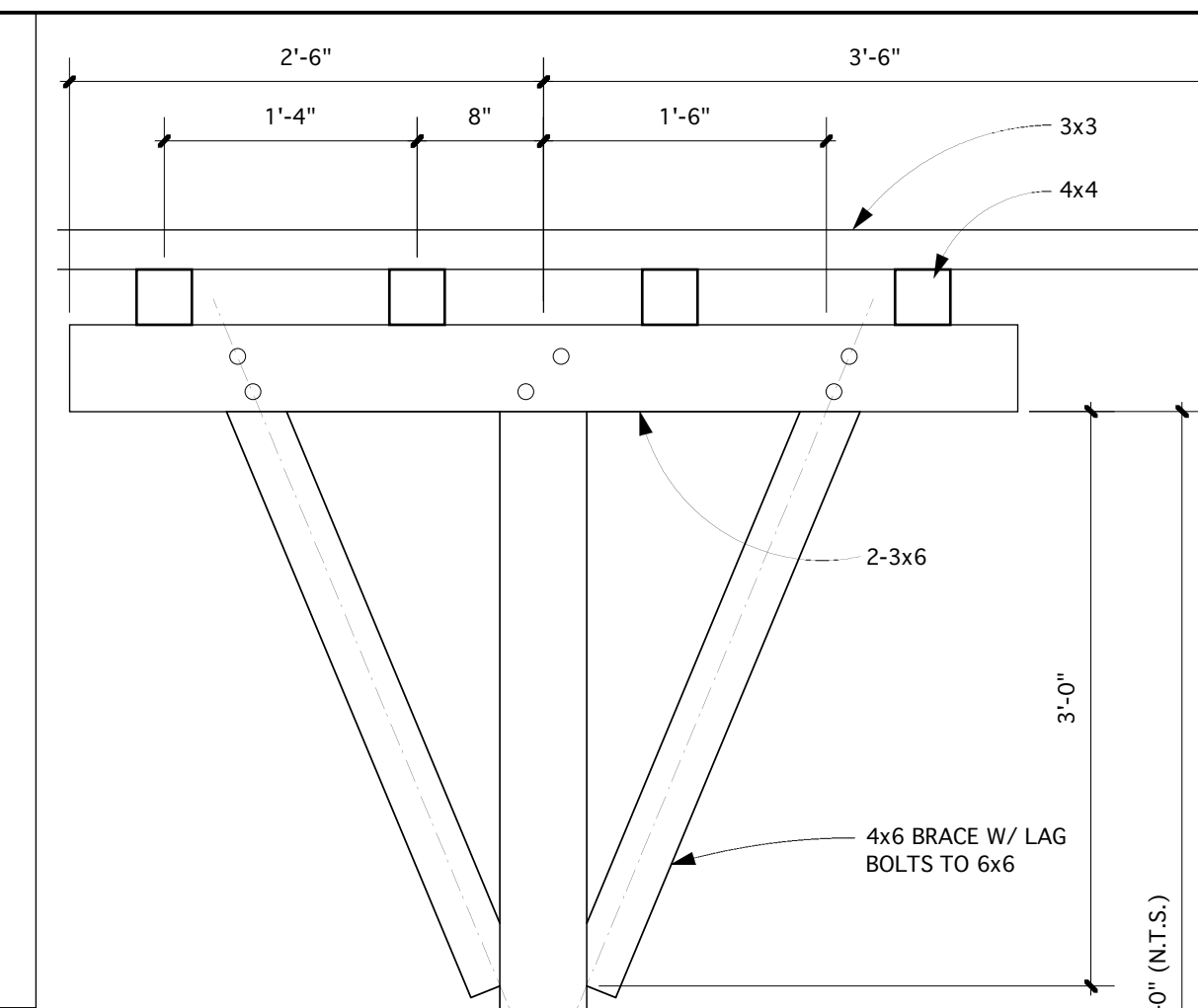
20 DETAIL TITLE  
A6.4 SCALE: 1 1/2" = 1'-0"



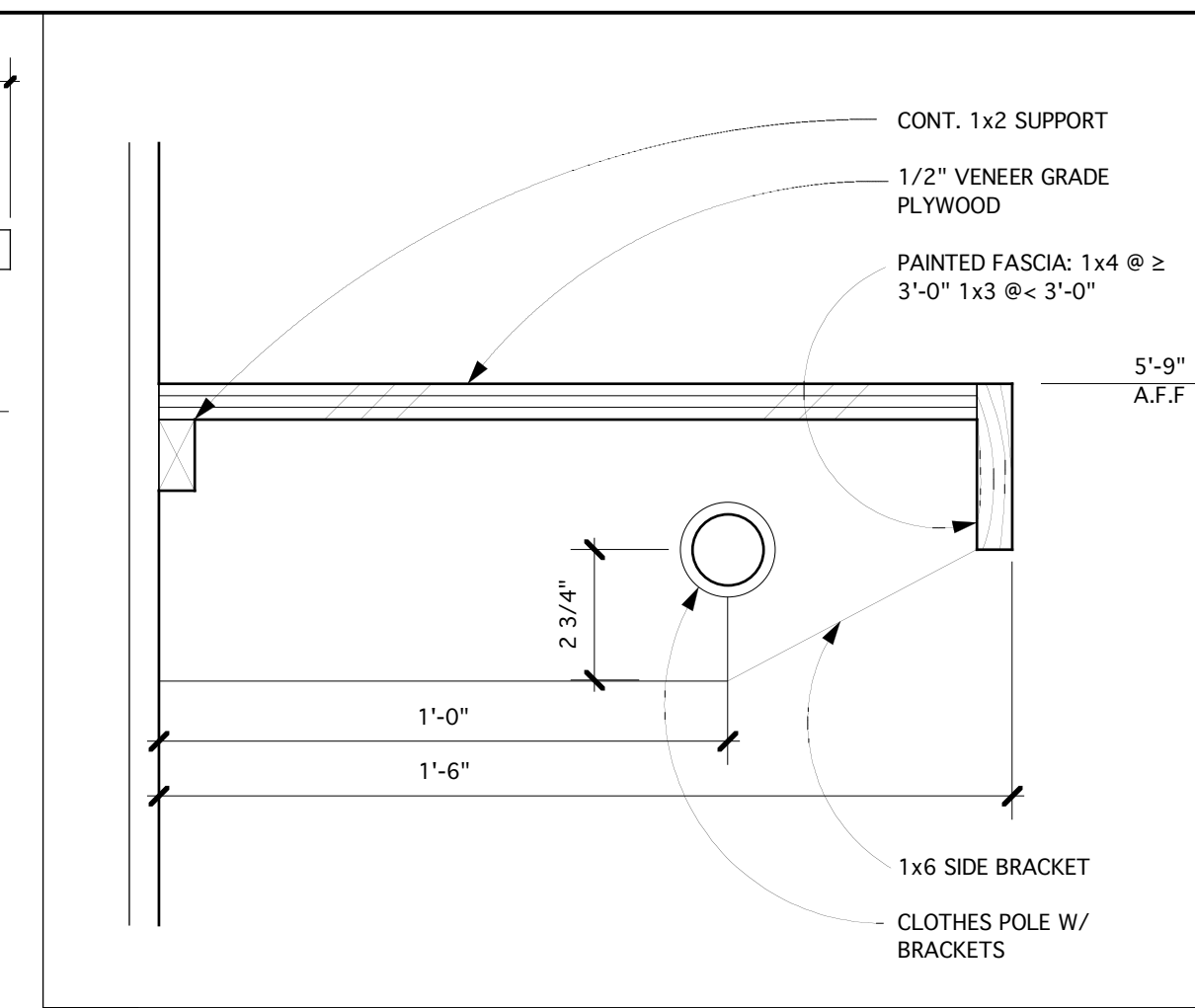
16 DETAIL TITLE  
A6.4 SCALE: 1 1/2" = 1'-0"



12 PANTRY SHEAR WALL  
A6.4 SCALE: 1/2" = 1'-0"



4 CLOSET SHELF AND ROD  
A6.4 SCALE: 3" = 1'-0"



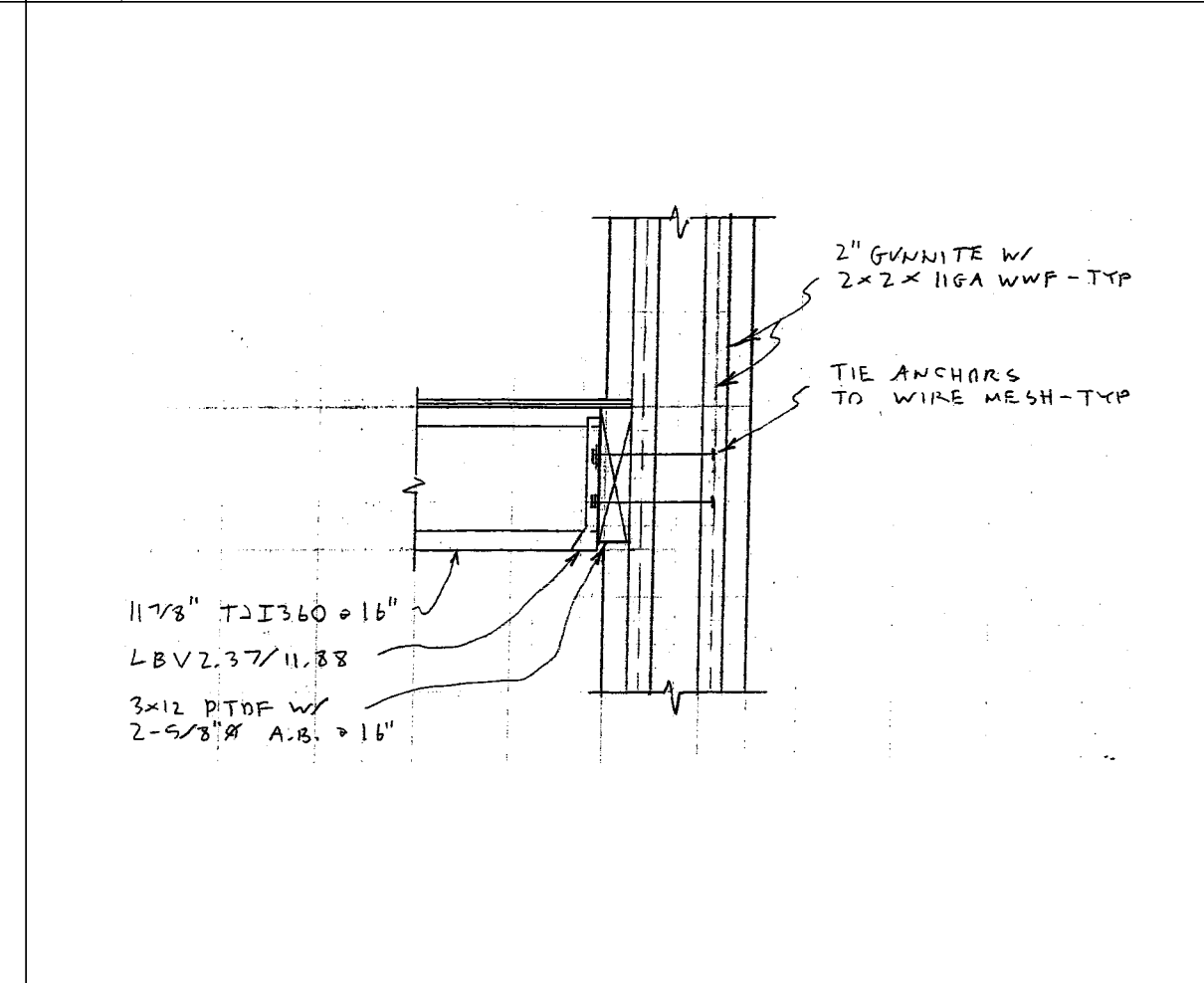
3 BRACKETLESS SHELF  
A6.4 SCALE: 3" = 1'-0"



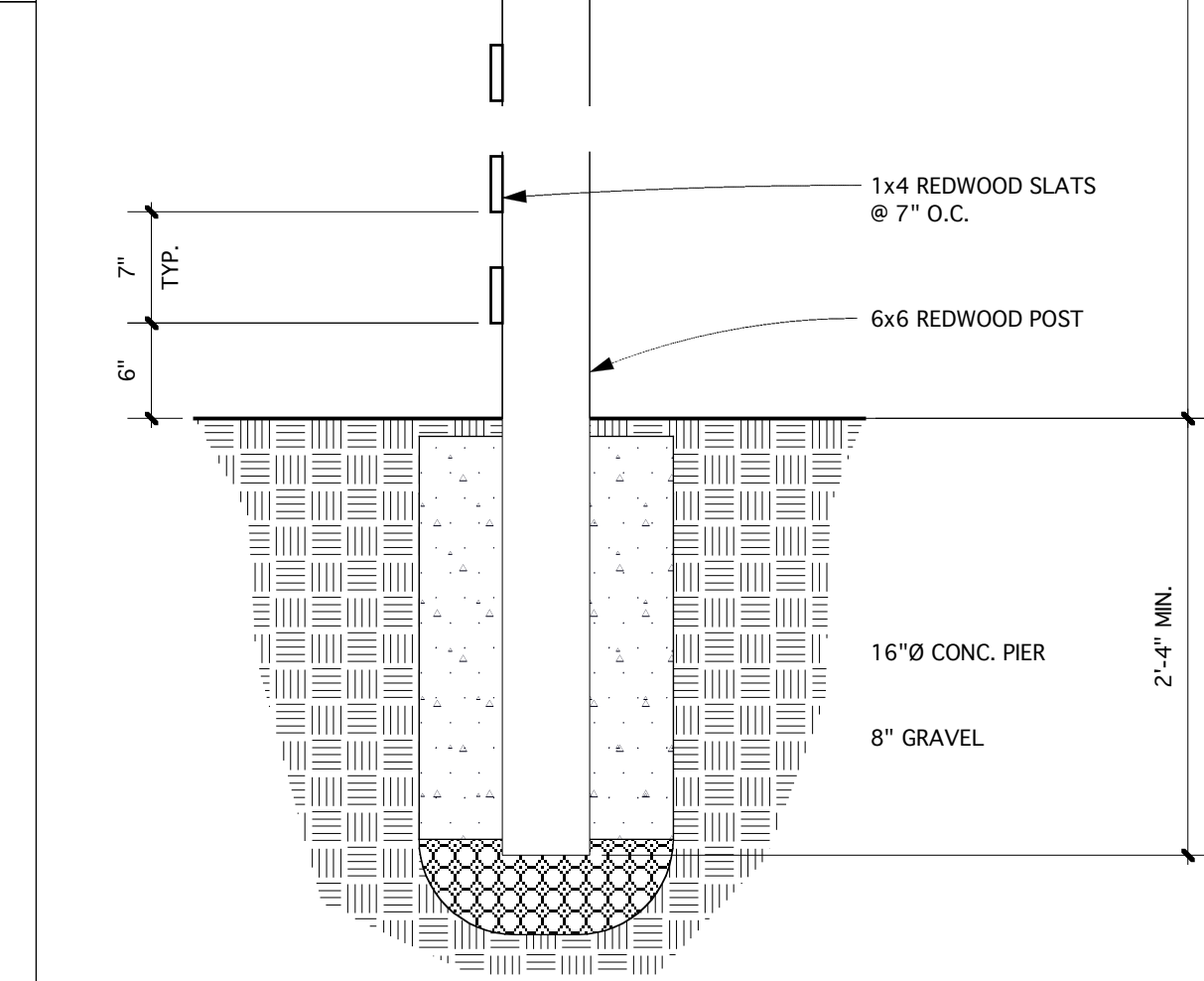
19 DETAIL TITLE  
A6.4 SCALE: 1 1/2" = 1'-0"



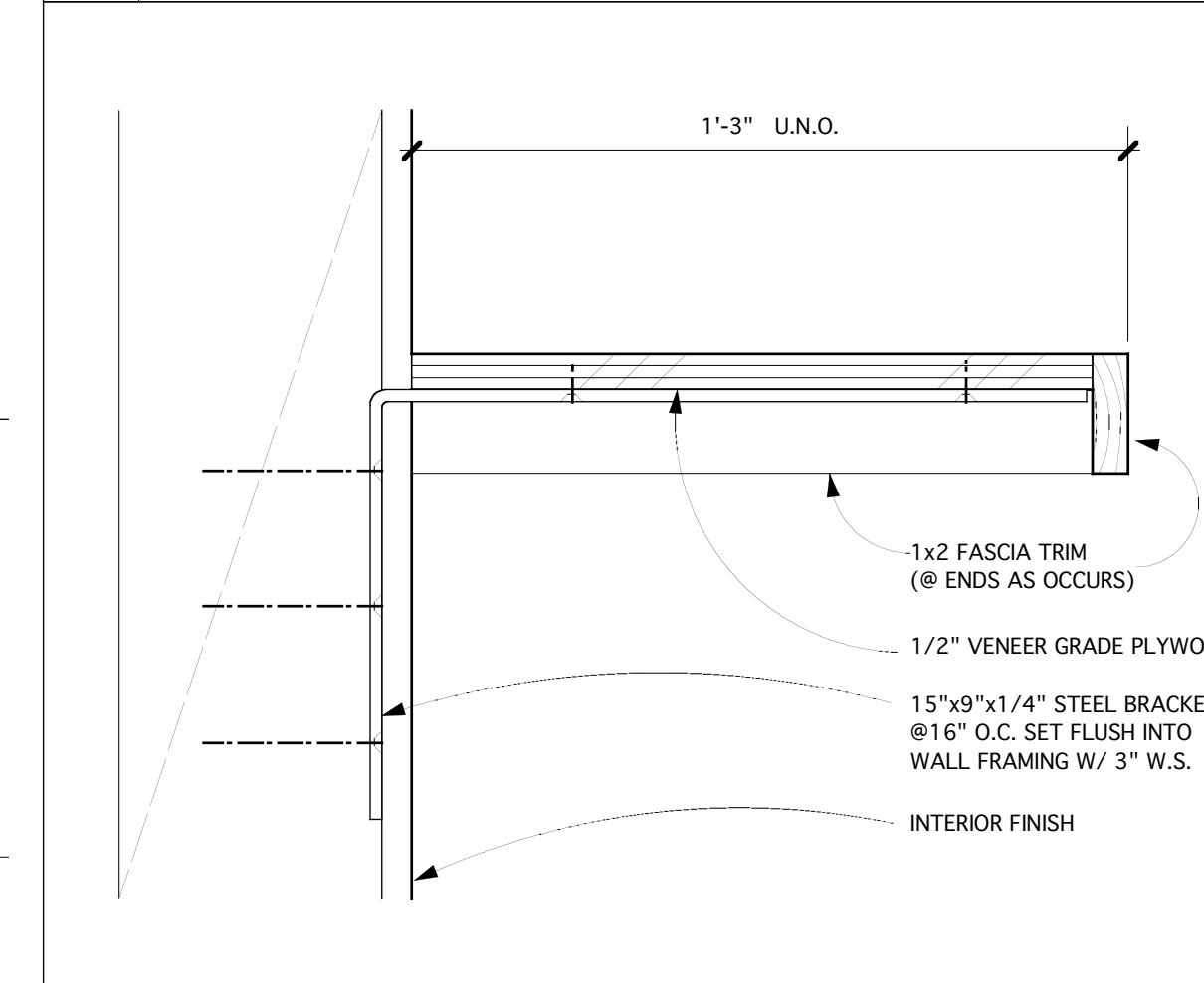
15 DETAIL TITLE  
A6.4 SCALE: 1 1/2" = 1'-0"



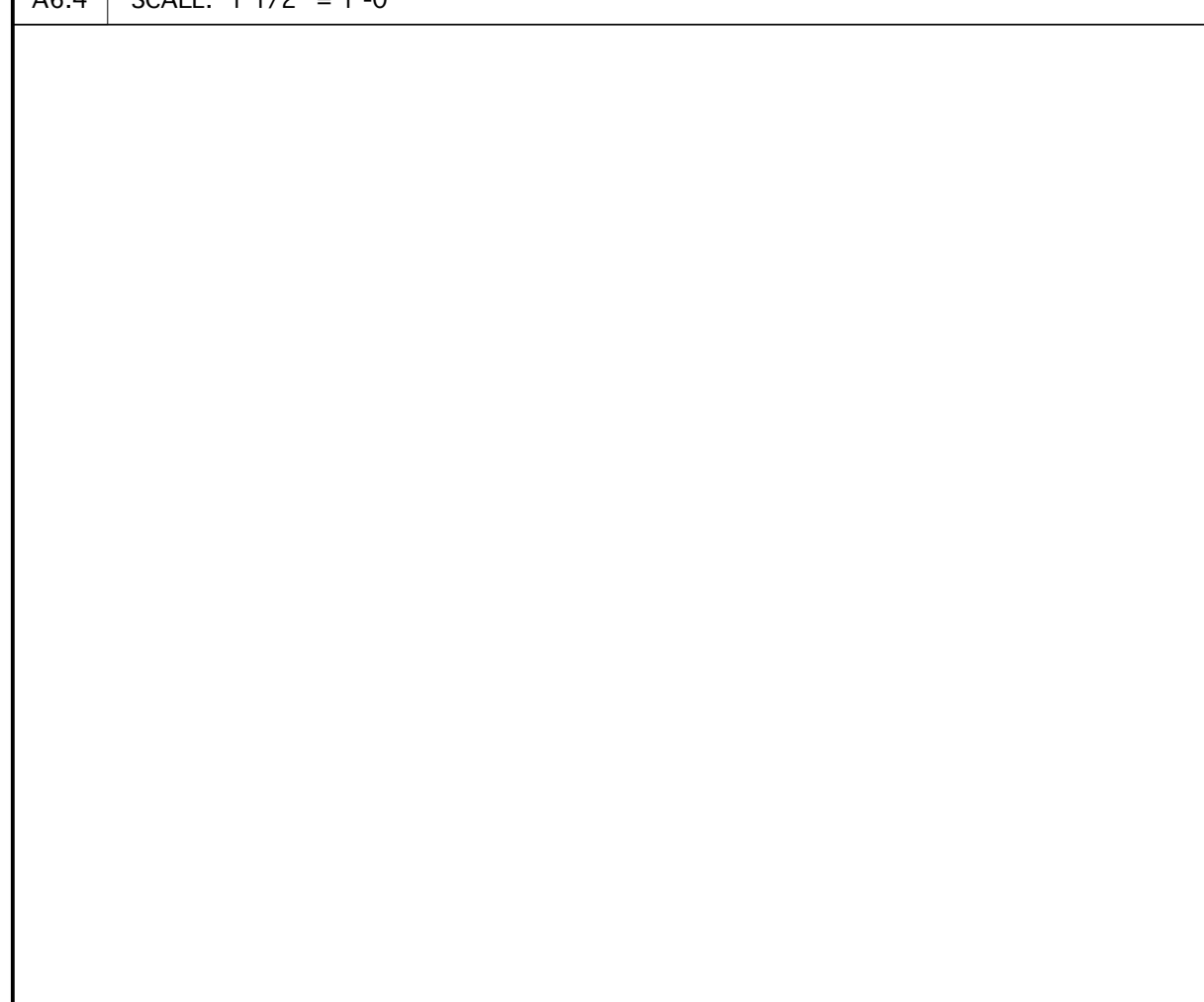
11 WEST WING FIRST FLOOR LEDGER  
A6.4 SCALE: 3/4" = 1'-0"



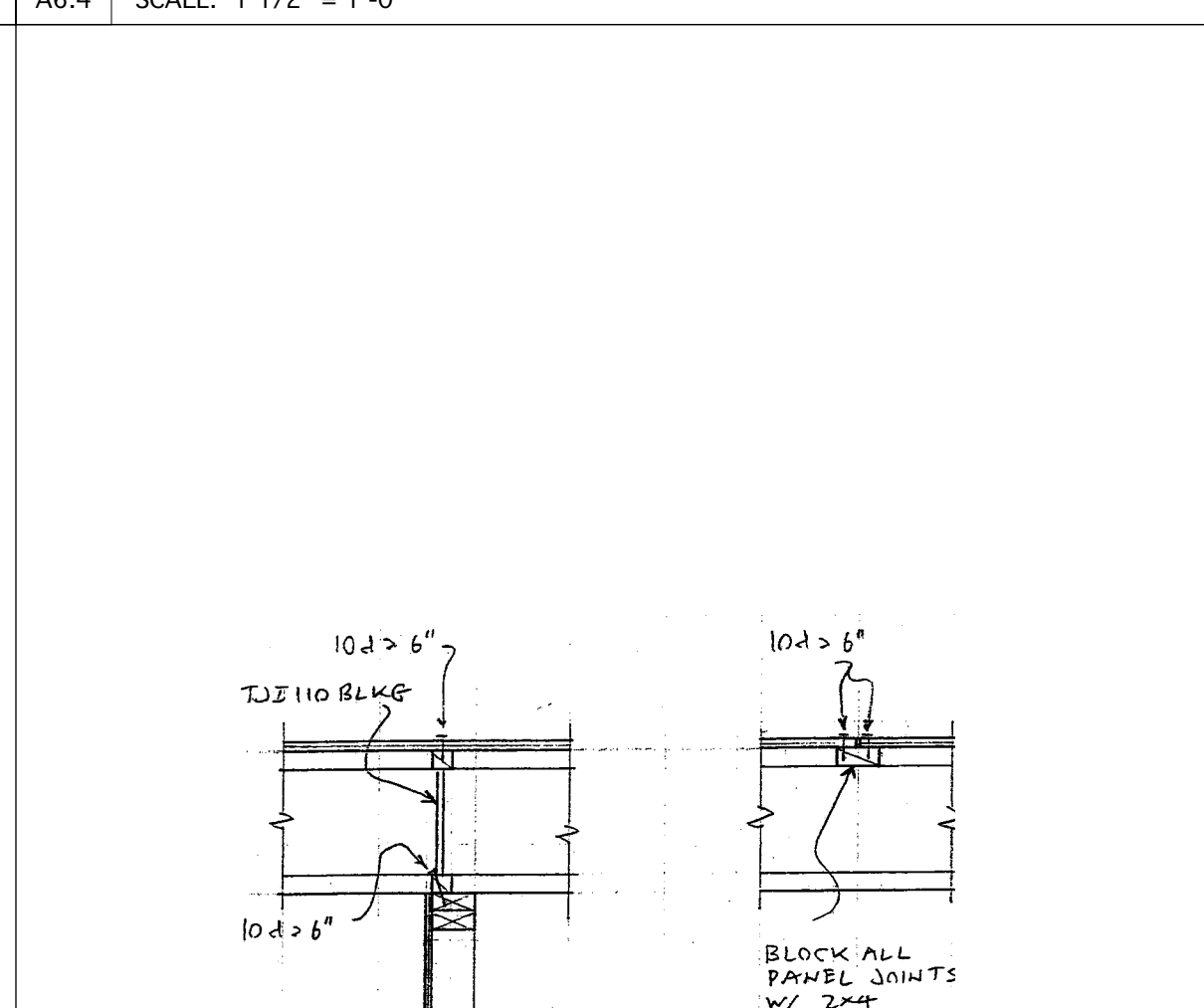
7 FENCE TRELLIS  
A6.4 SCALE: 1" = 1'-0"



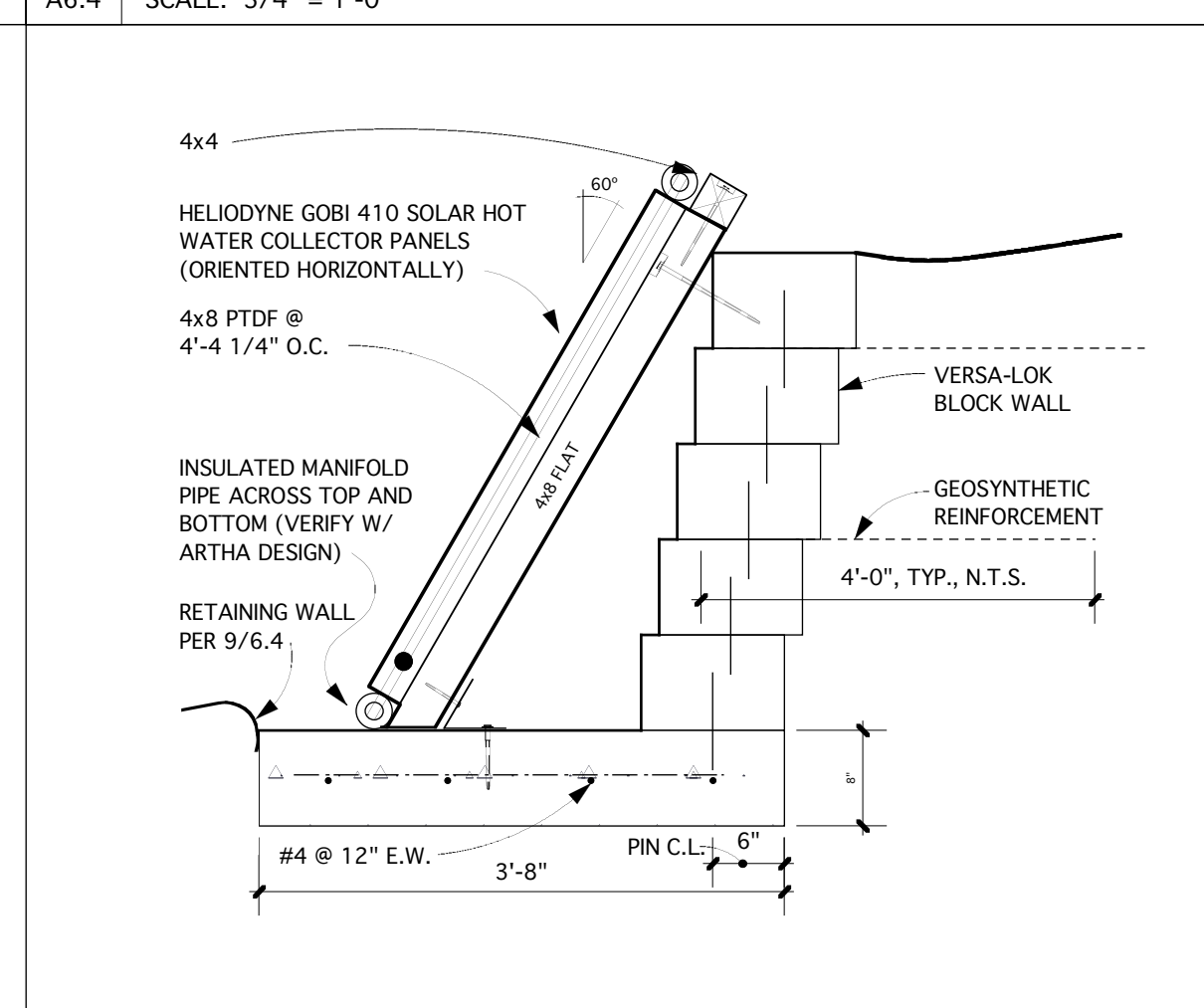
2 RAKE @ POOL HOUSE  
A6.4 SCALE: 3" = 1'-0"



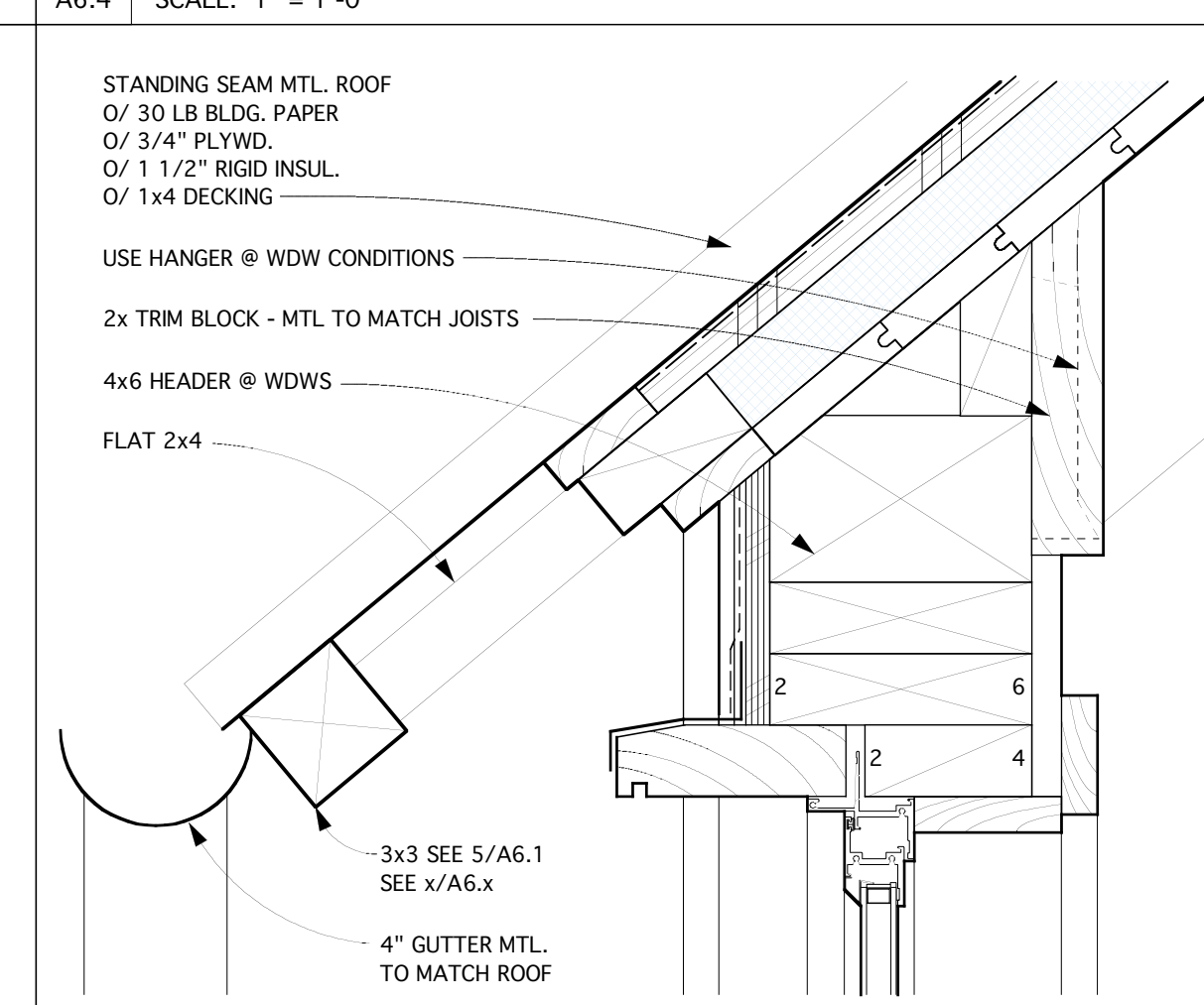
18 DETAIL TITLE  
A6.4 SCALE: 1 1/2" = 1'-0"



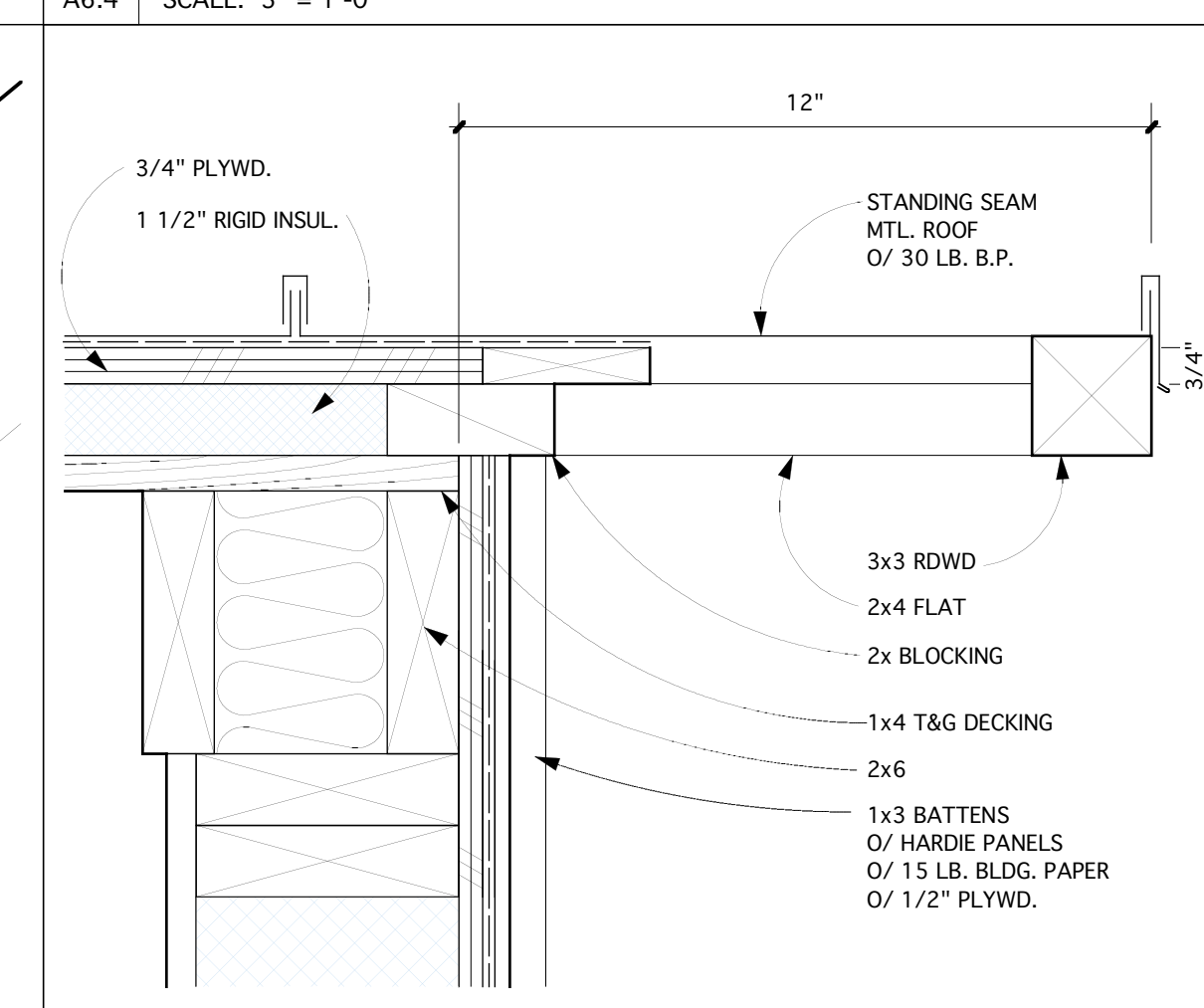
10 RETAINING @ SOLAR PANELS  
A6.4 SCALE: 3/4" = 1'-0"



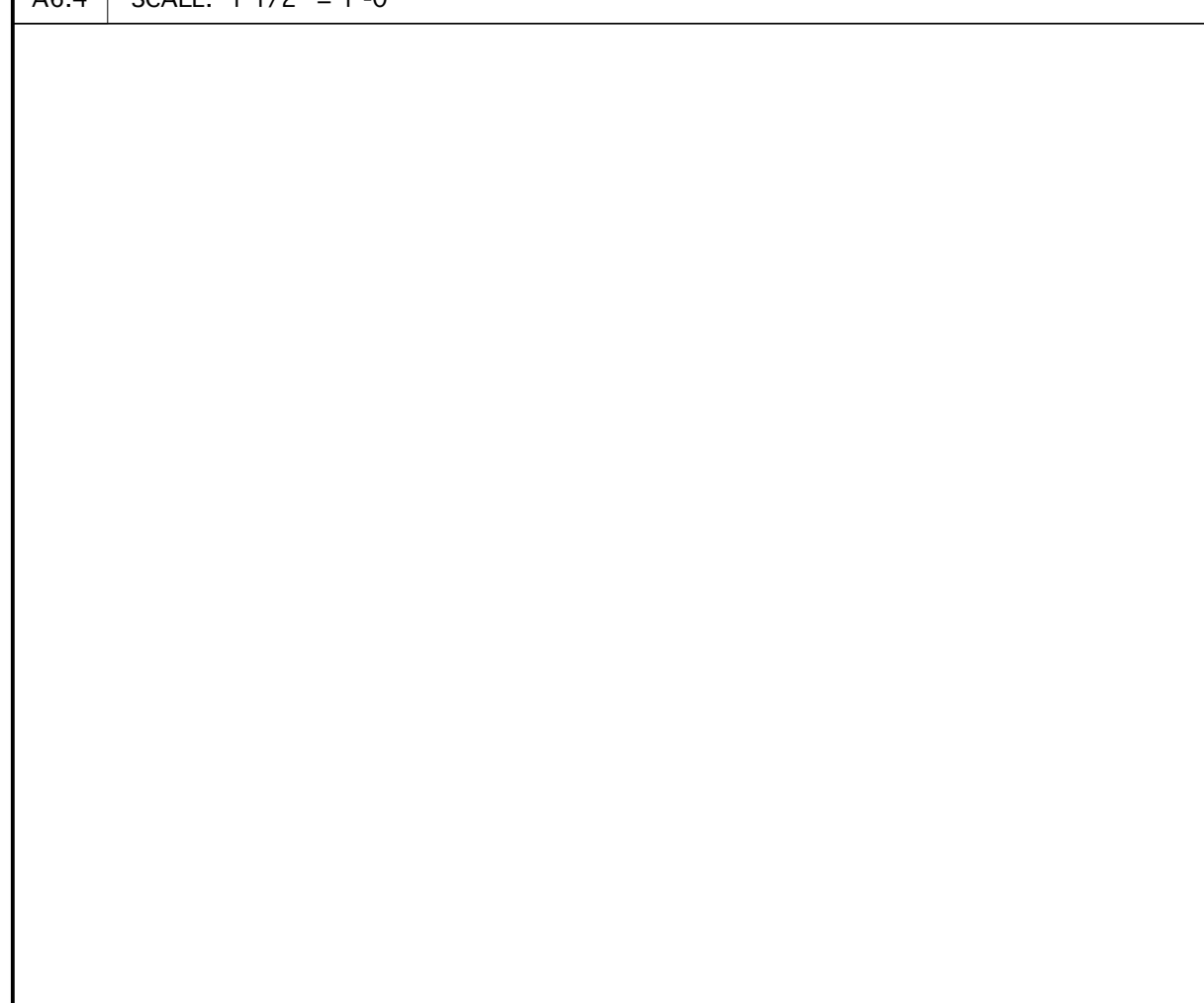
6 EAVE @ POOL HOUSE  
A6.4 SCALE: 3" = 1'-0"



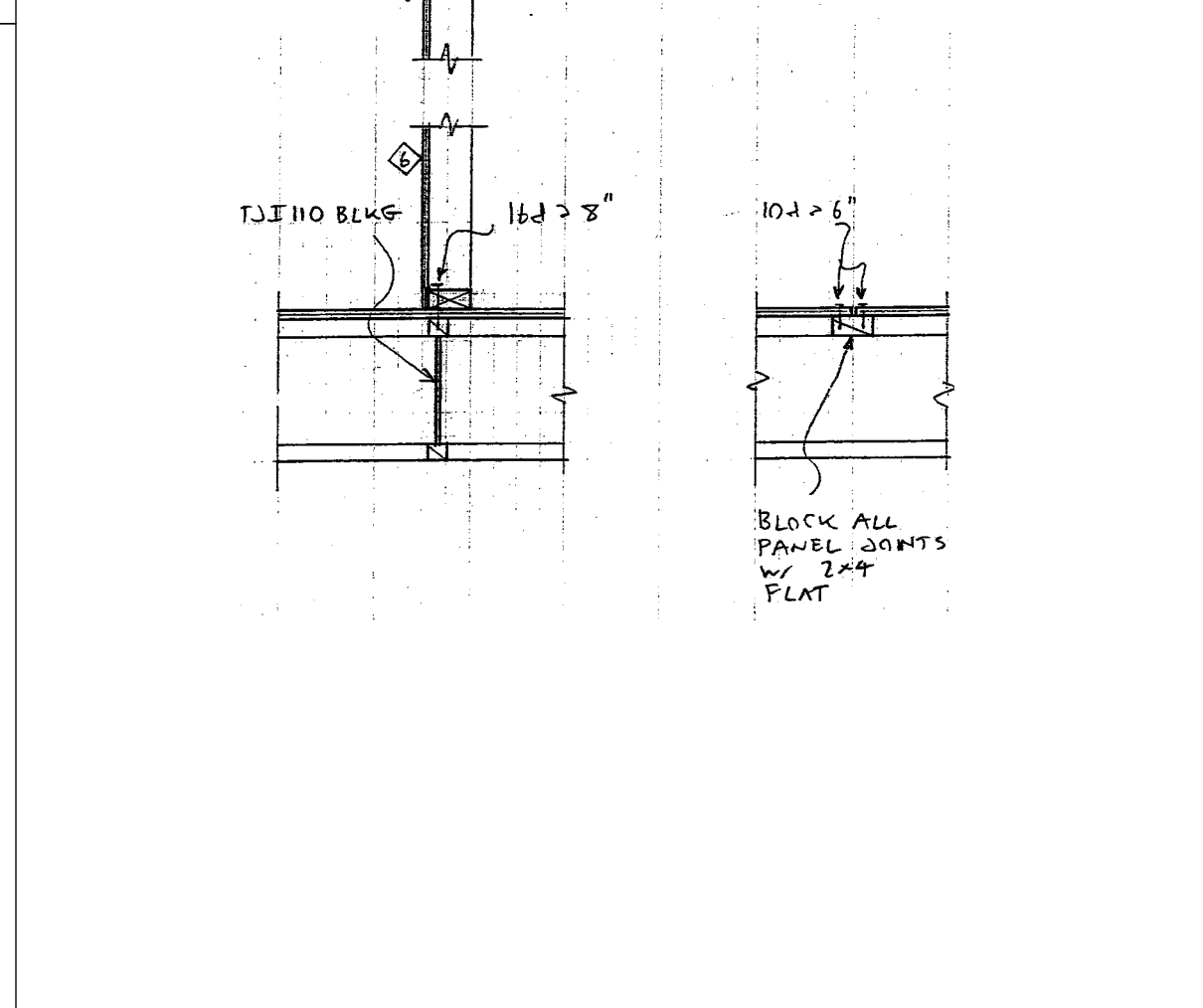
5 ROOF @ MASTER HALL  
A6.4 SCALE: 2" = 1'-0"



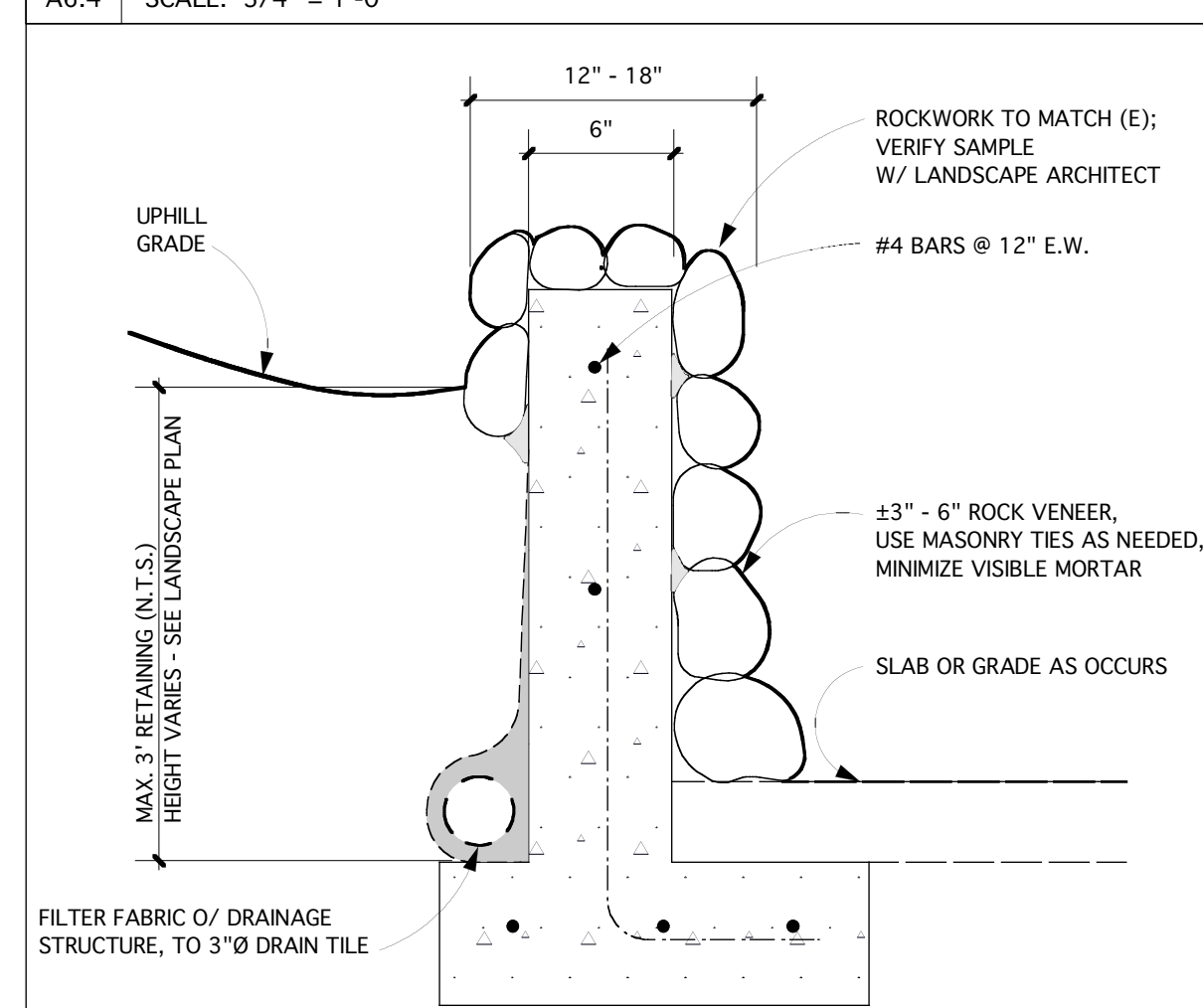
1 SHOWER SCREEN @ POOLHOUSE  
A6.4 SCALE: 3" = 1'-0"



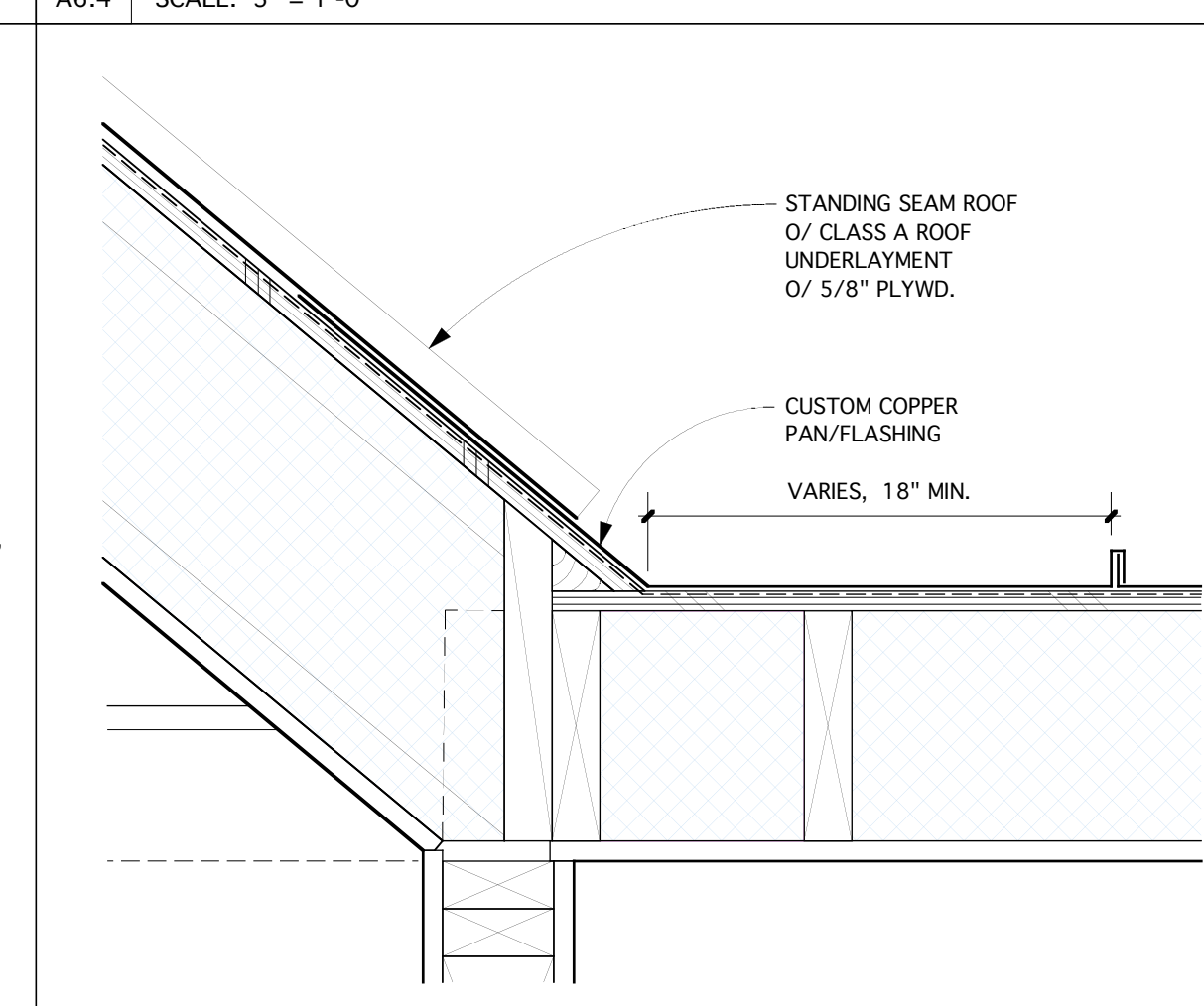
17 DETAIL TITLE  
A6.4 SCALE: 1 1/2" = 1'-0"



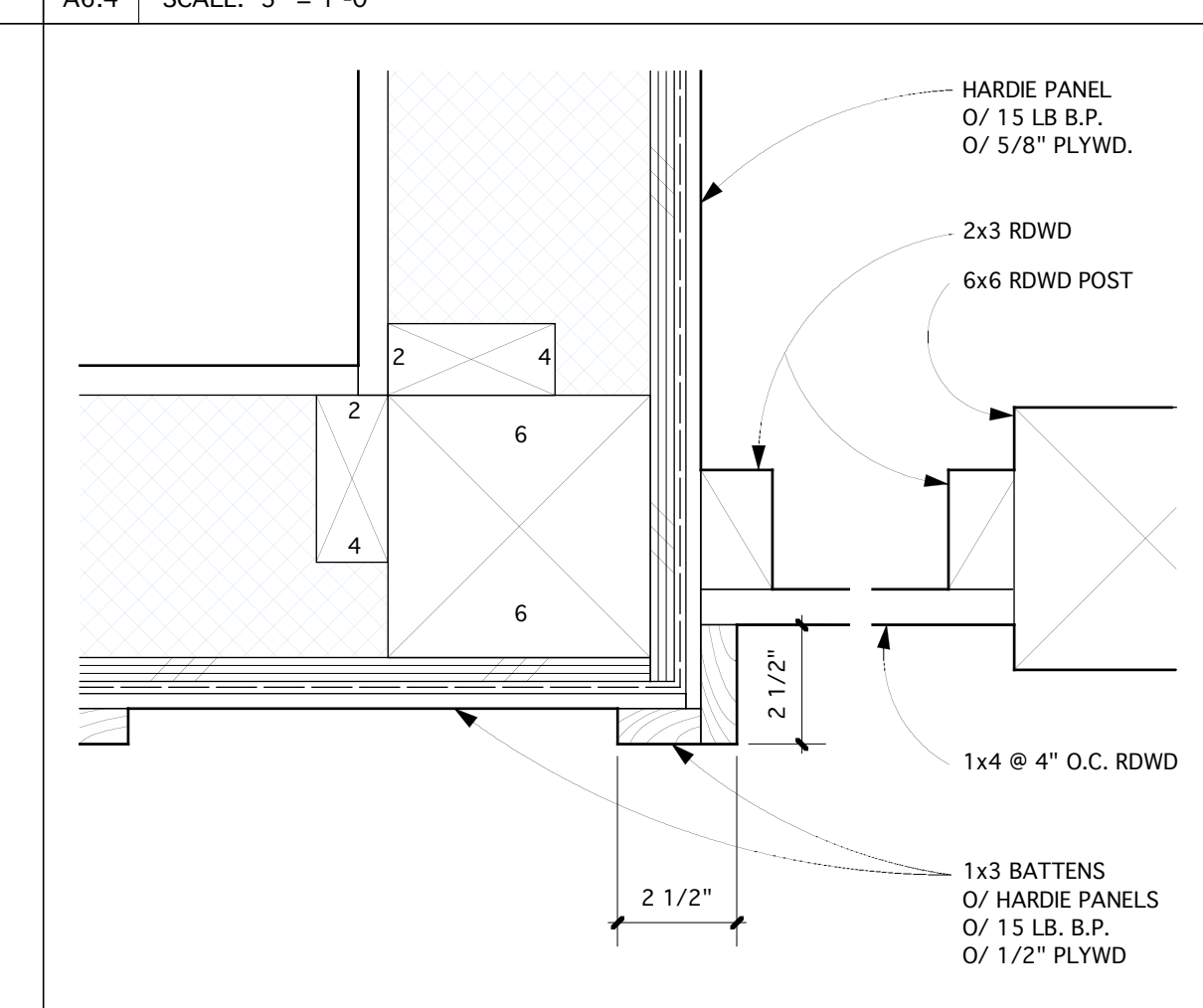
13 WEST WING HALLWAY WALL  
A6.4 SCALE: 3/4" = 1'-0"



9 EXTERIOR RETAINING WALL  
A6.4 SCALE: 1 1/2" = 1'-0"



8 DETAIL TITLE  
A6.4 SCALE: 3" = 1'-0"



1 SHOWER SCREEN @ POOLHOUSE  
A6.4 SCALE: 3" = 1'-0"

**ARKIN • TILT ARCHITECTS**

Ecological  
Planning  
& Design

1101 8th St.  
Suite 180  
Berkeley, CA 94710

telephone  
510.528.9830

facsimile  
510.528.0206

e mail  
info@arkintilt.com

website  
www.arkintilt.com

---

NEW RESIDENCE for  
**CINDY BICKERSTAFF & MARK HOLLER**  
1877 MOUNT VEEDEE ROAD  
NAPA, CA 94558  
A.P.N. 34-110-47

DETAILS

DATE: 03.15.06  
JOB: BH  
SCALE: AS NOTED  
DRAWN:  
SHEET:

**A6.4**