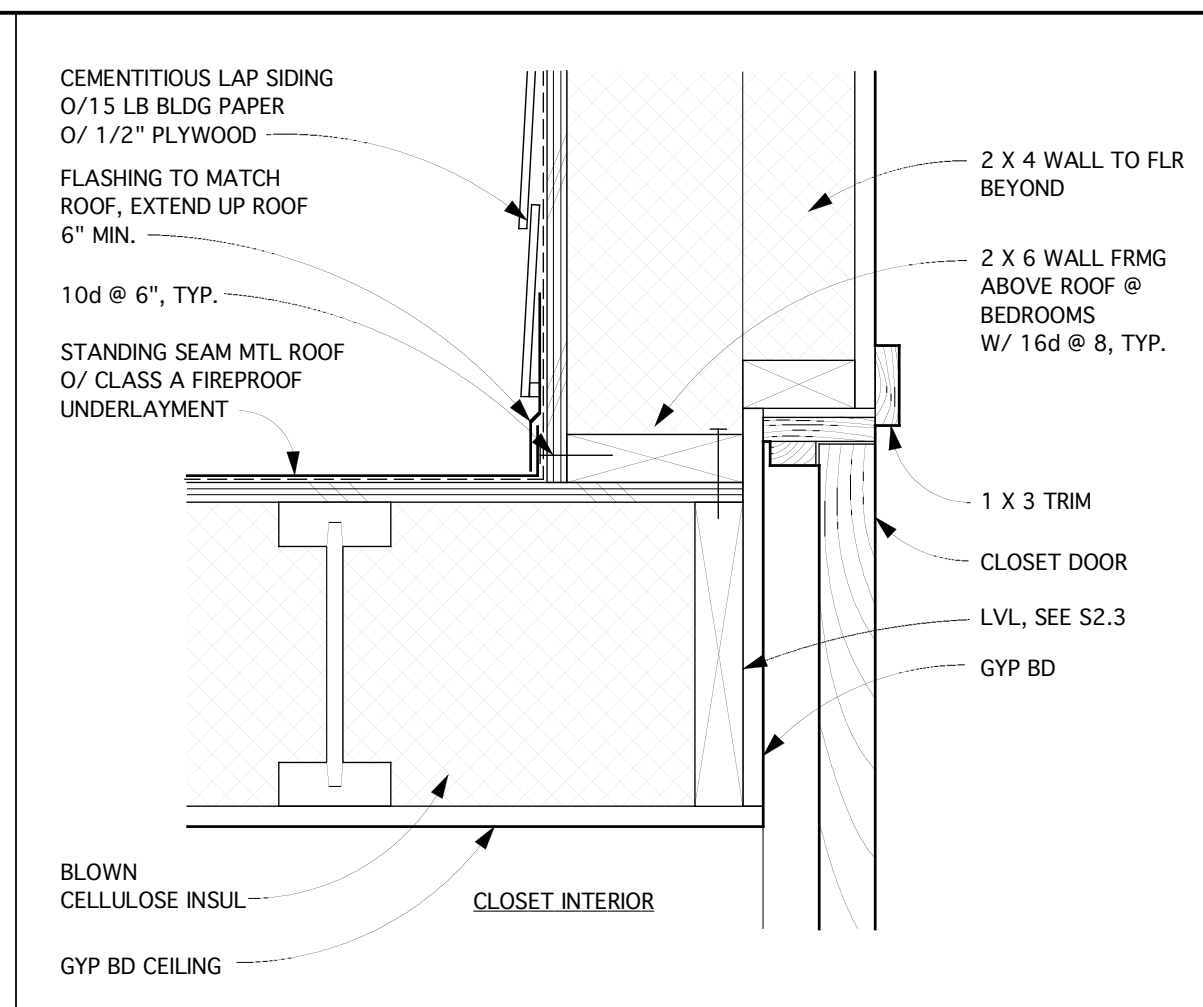
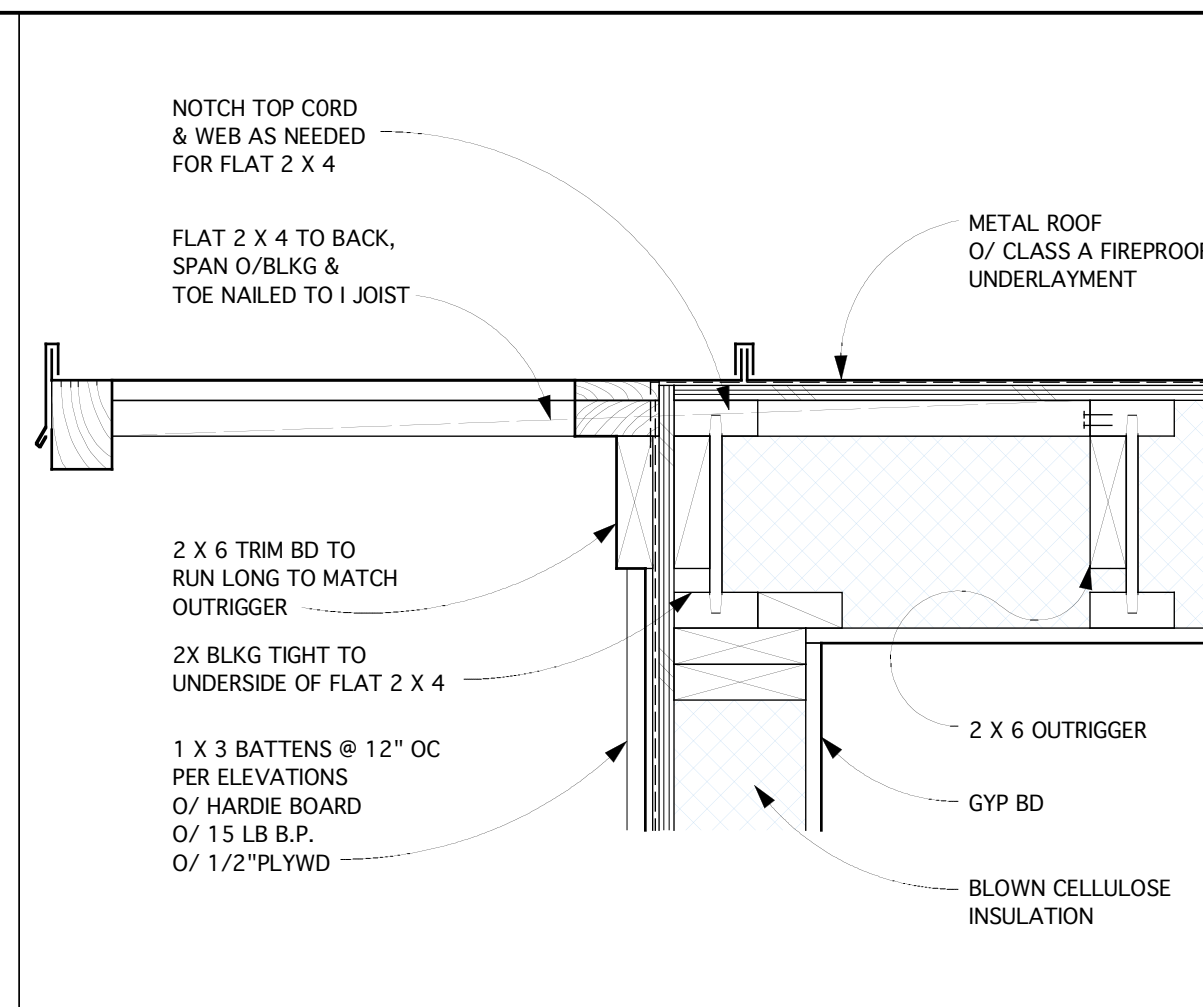


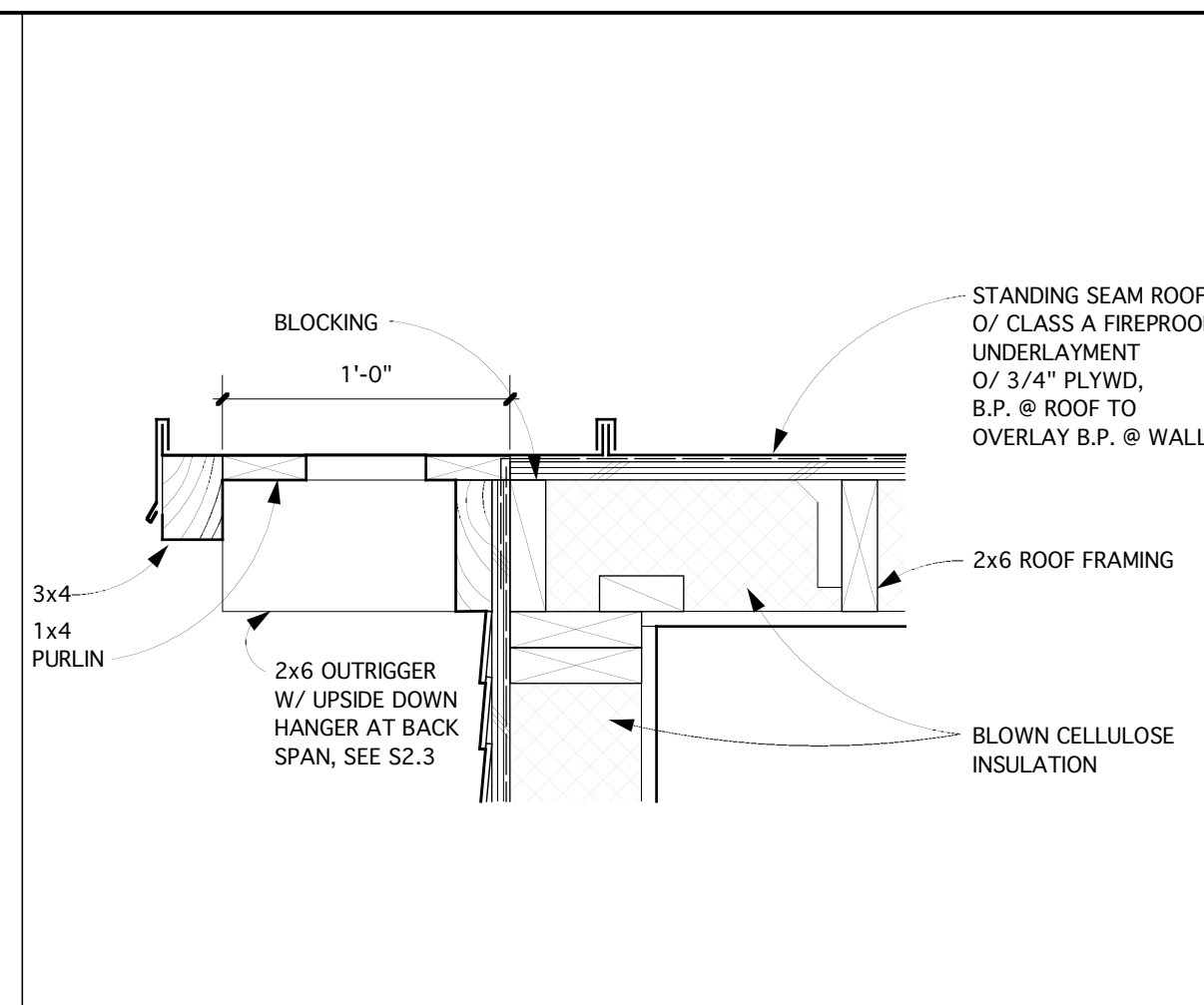
**20 GUTTER PAN**  
A6.3 SCALE: 3" = 1'-0"



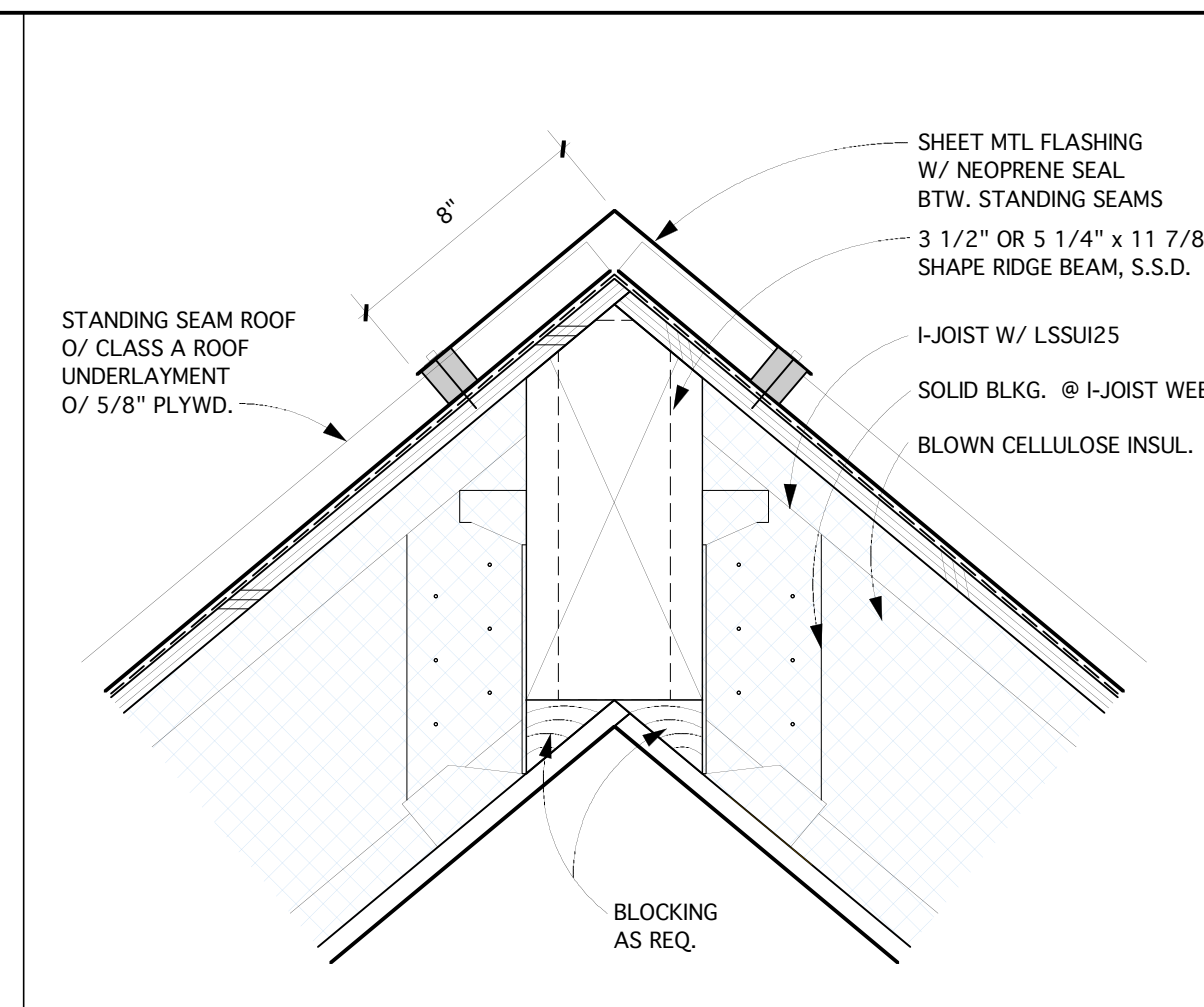
**16 WALL FRAMING @ KIDS' BR. CLOSETS**  
A6.3 SCALE: 2" = 1'-0"



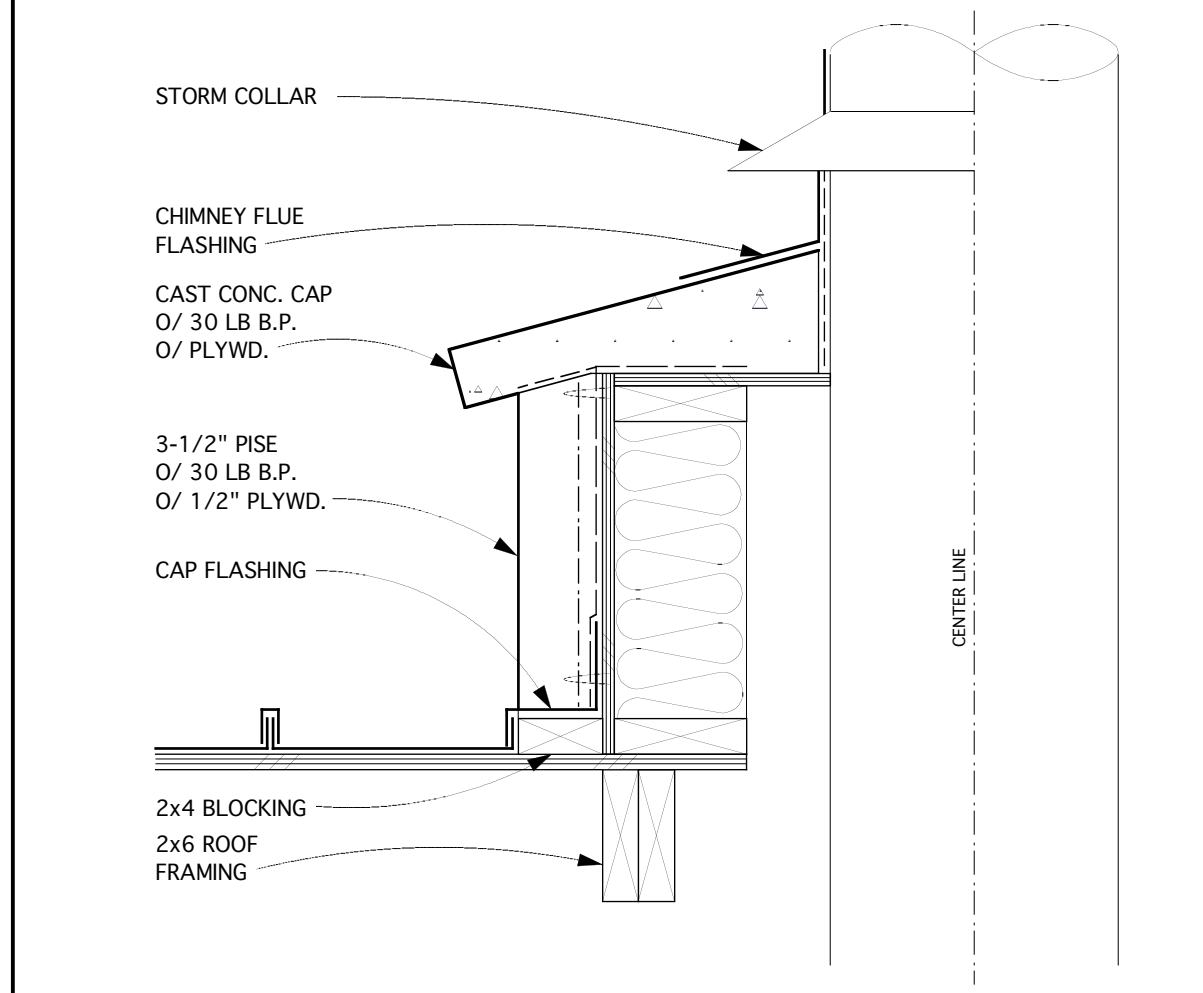
**12 RAKE @ LOFT**  
A6.3 SCALE: 1 1/2" = 1'-0"



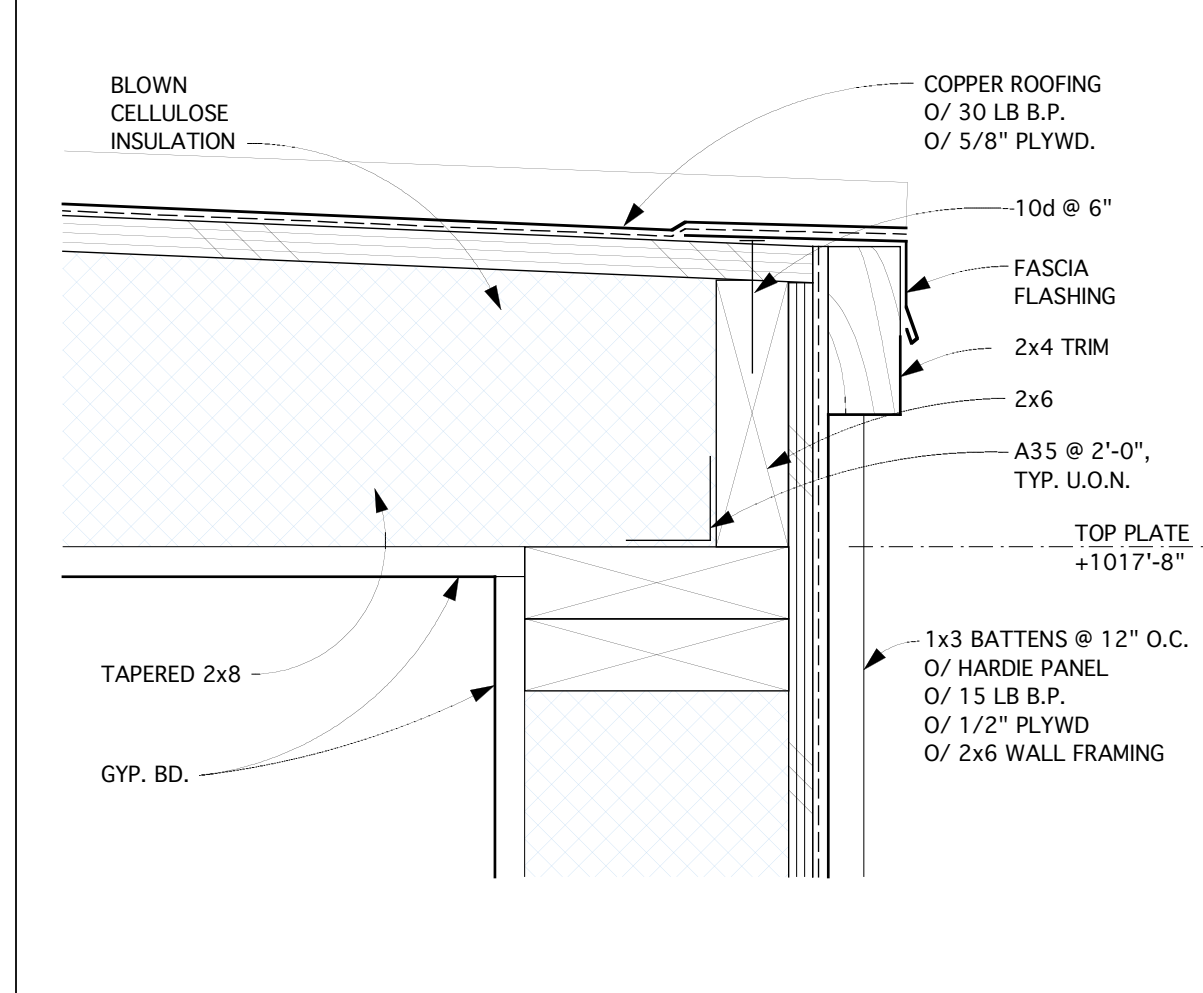
**8 RAKE @ BEDROOMS**  
A6.3 SCALE: 1 1/2" = 1'-0"



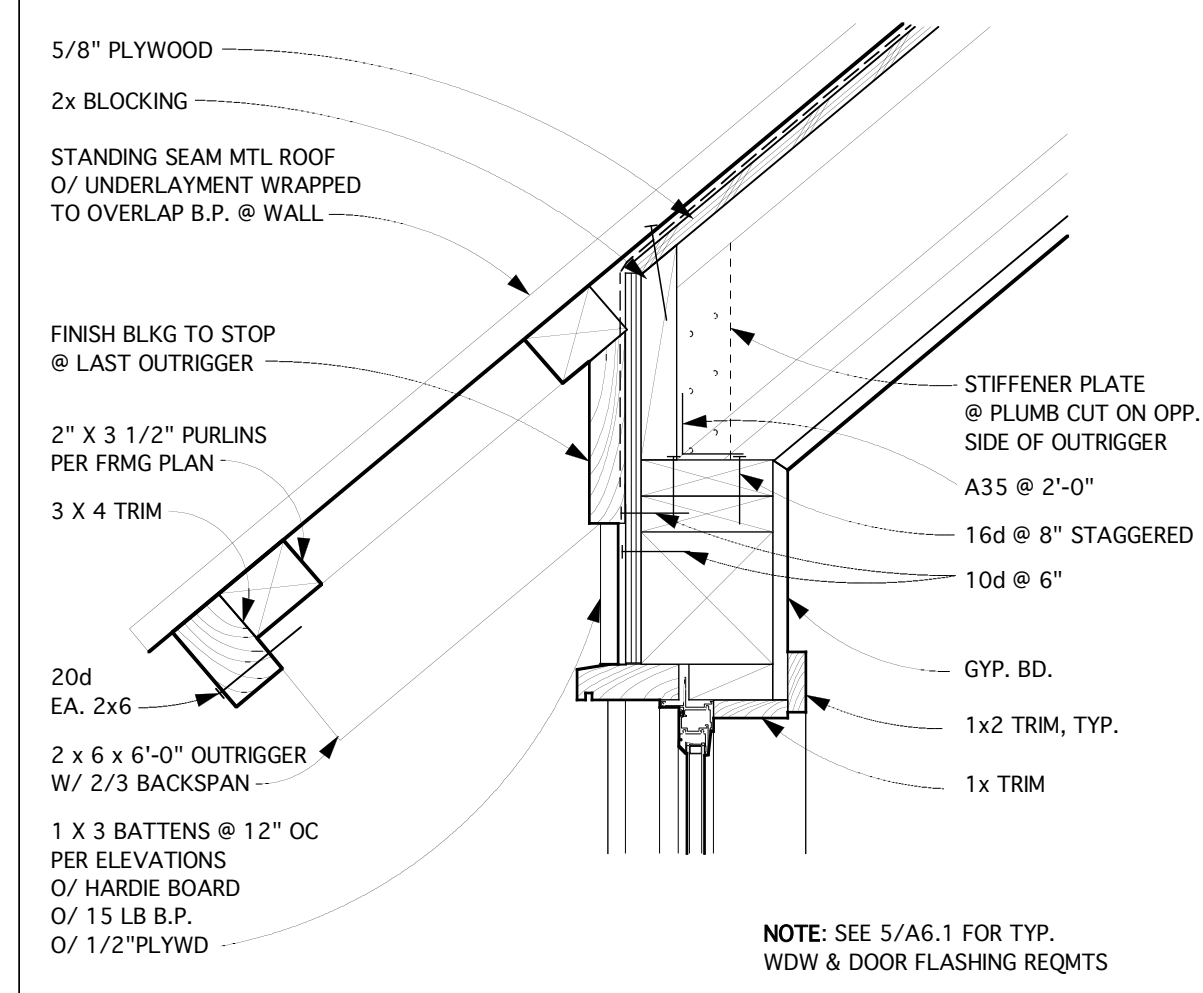
**4 RIDGE**  
A6.3 SCALE: 2" = 1'-0"



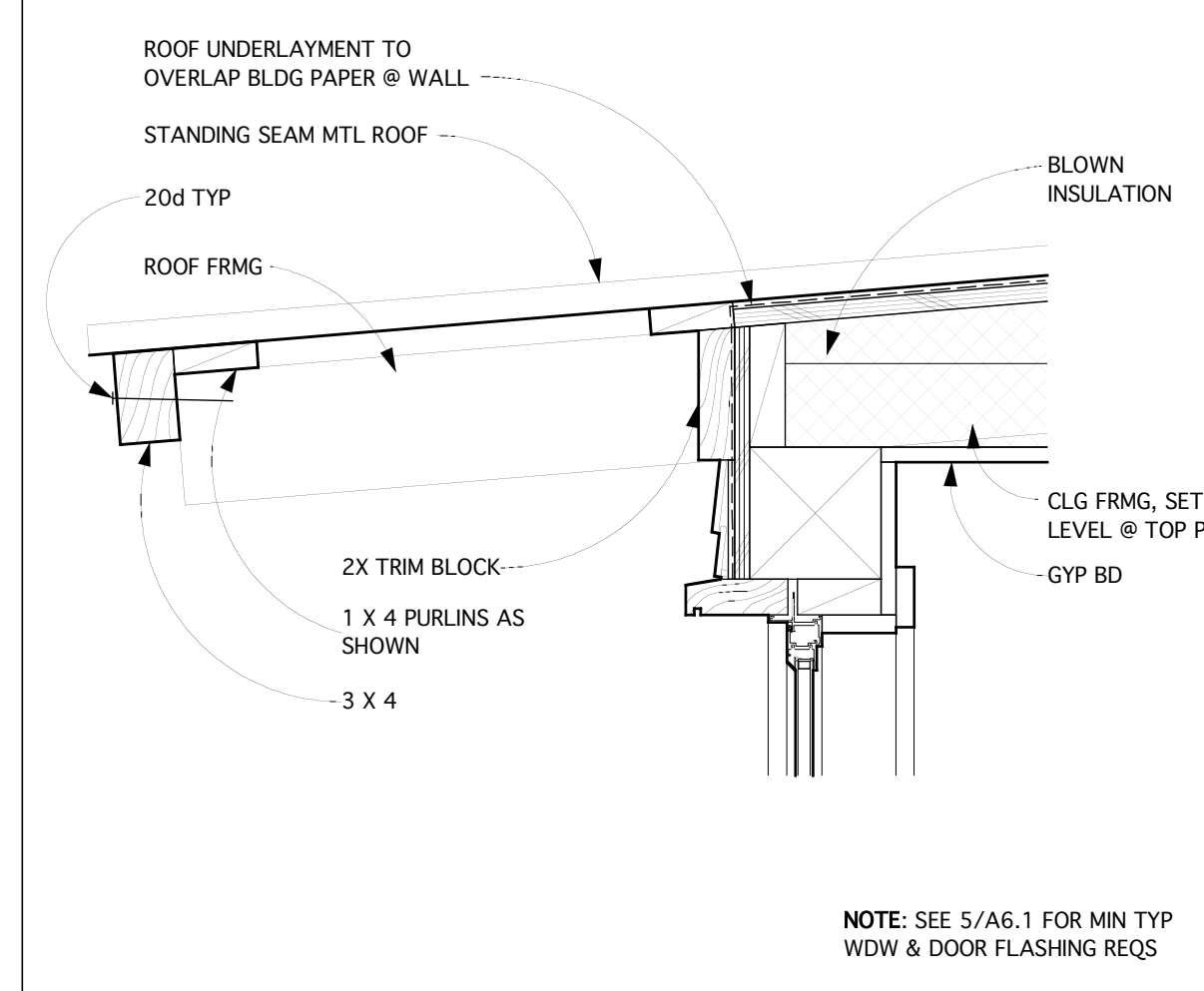
**19 CHIMNEY @ ROOF**  
A6.3 SCALE: 1 1/2" = 1'-0"



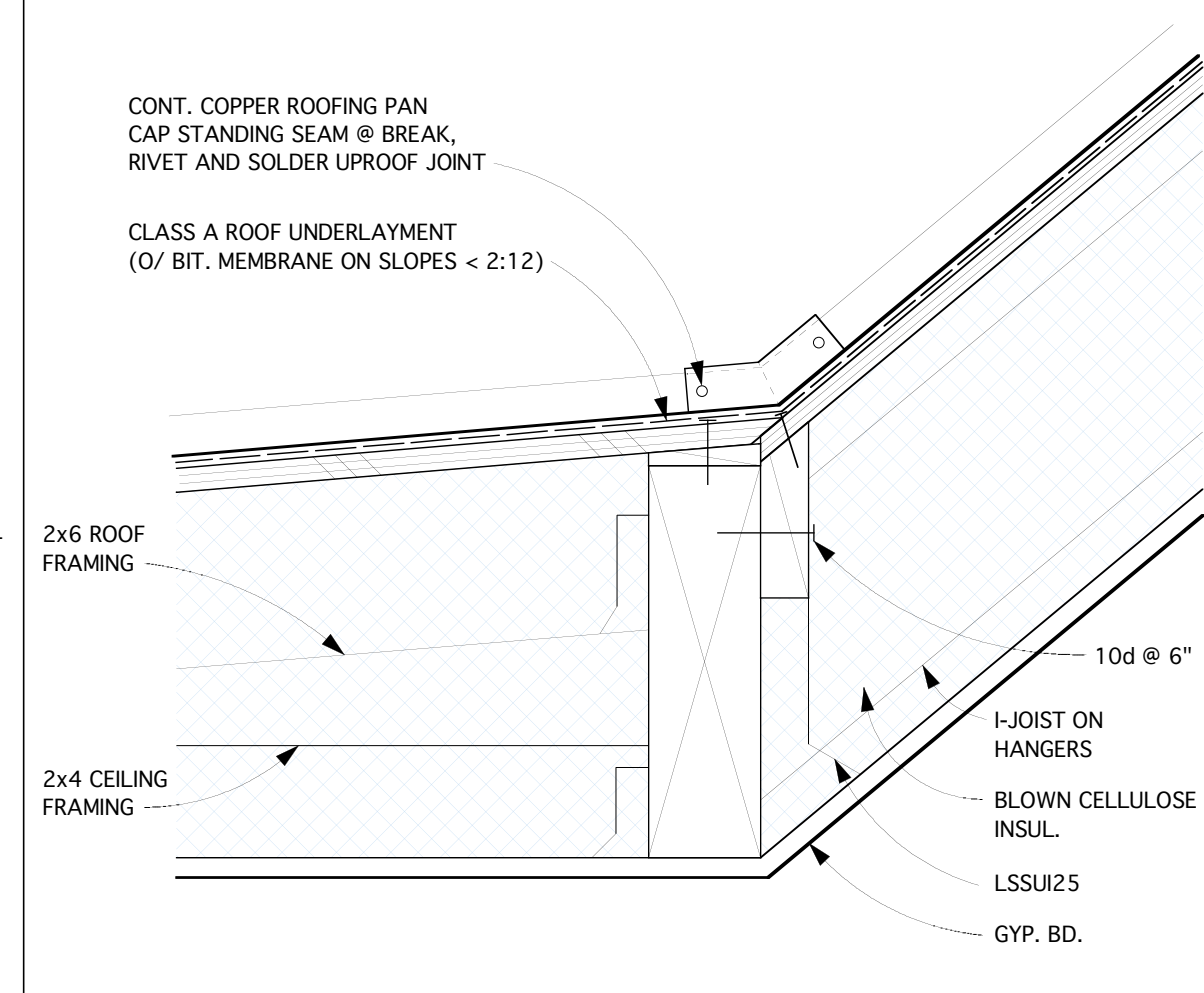
**15 EAVE @ M. BATH**  
A6.3 SCALE: 3" = 1'-0"



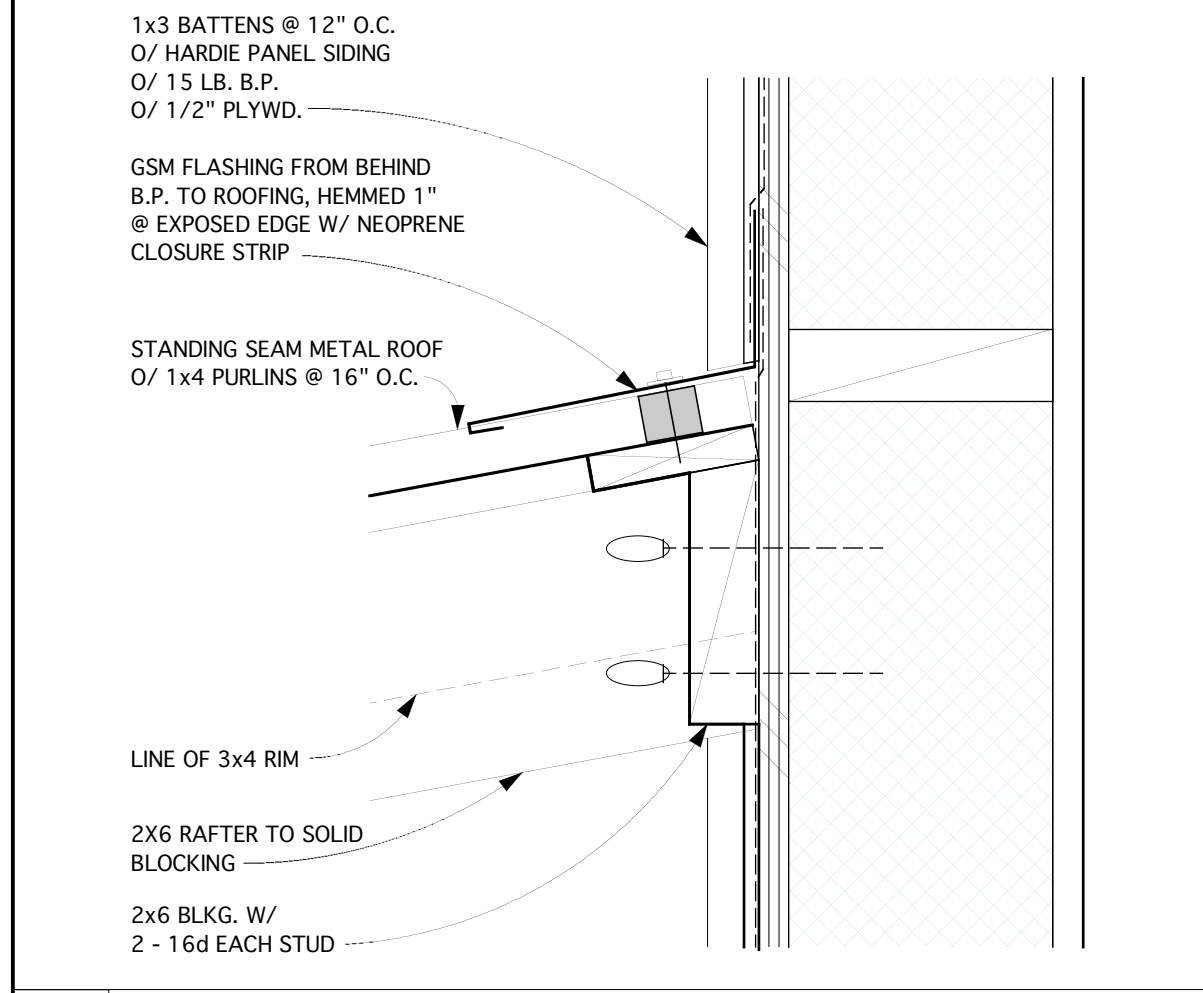
**11 EAVE @ LOFT**  
A6.3 SCALE: 1 1/2" = 1'-0"



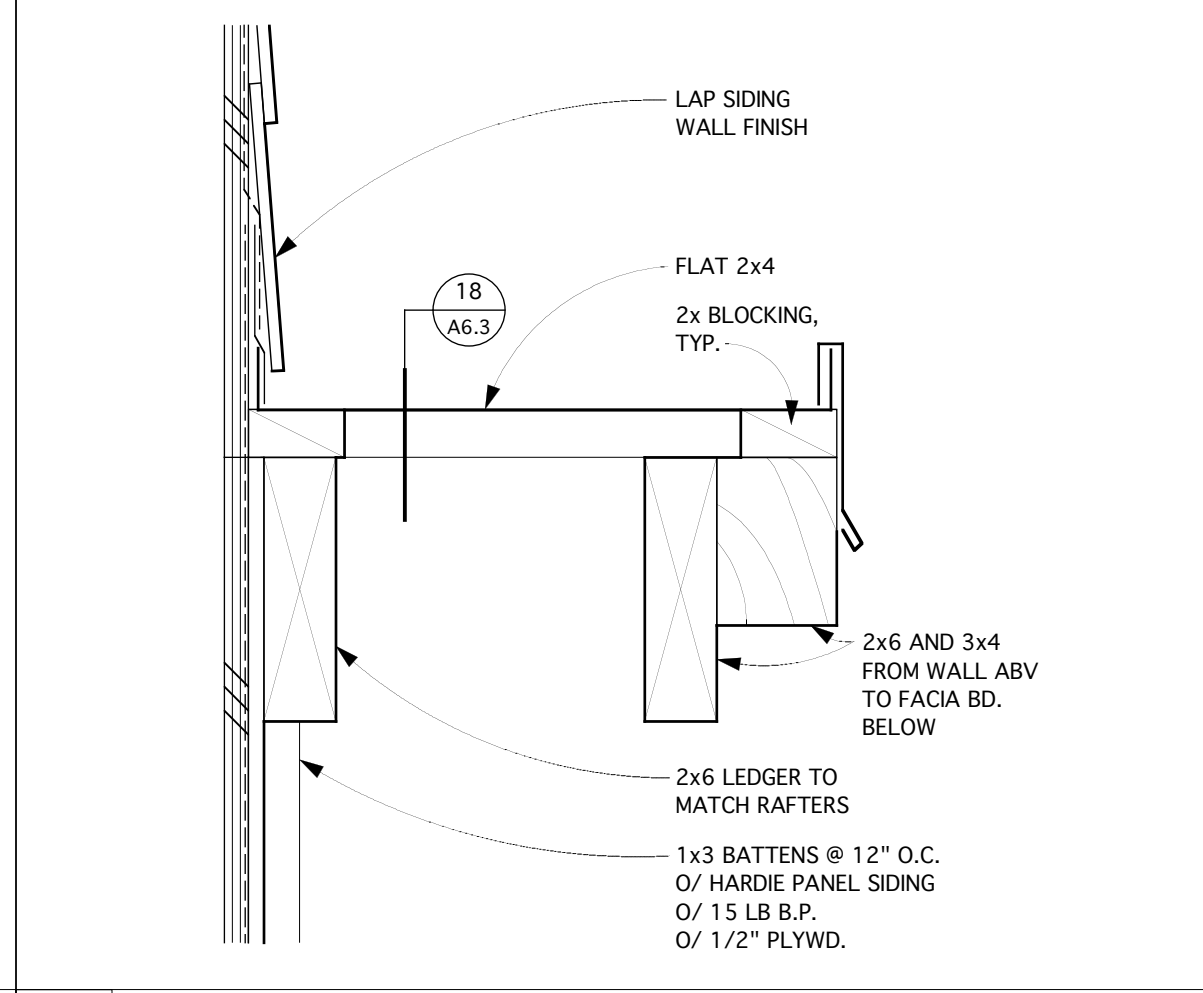
**7 EAVE @ BEDROOMS**  
A6.3 SCALE: 1 1/2" = 1'-0"



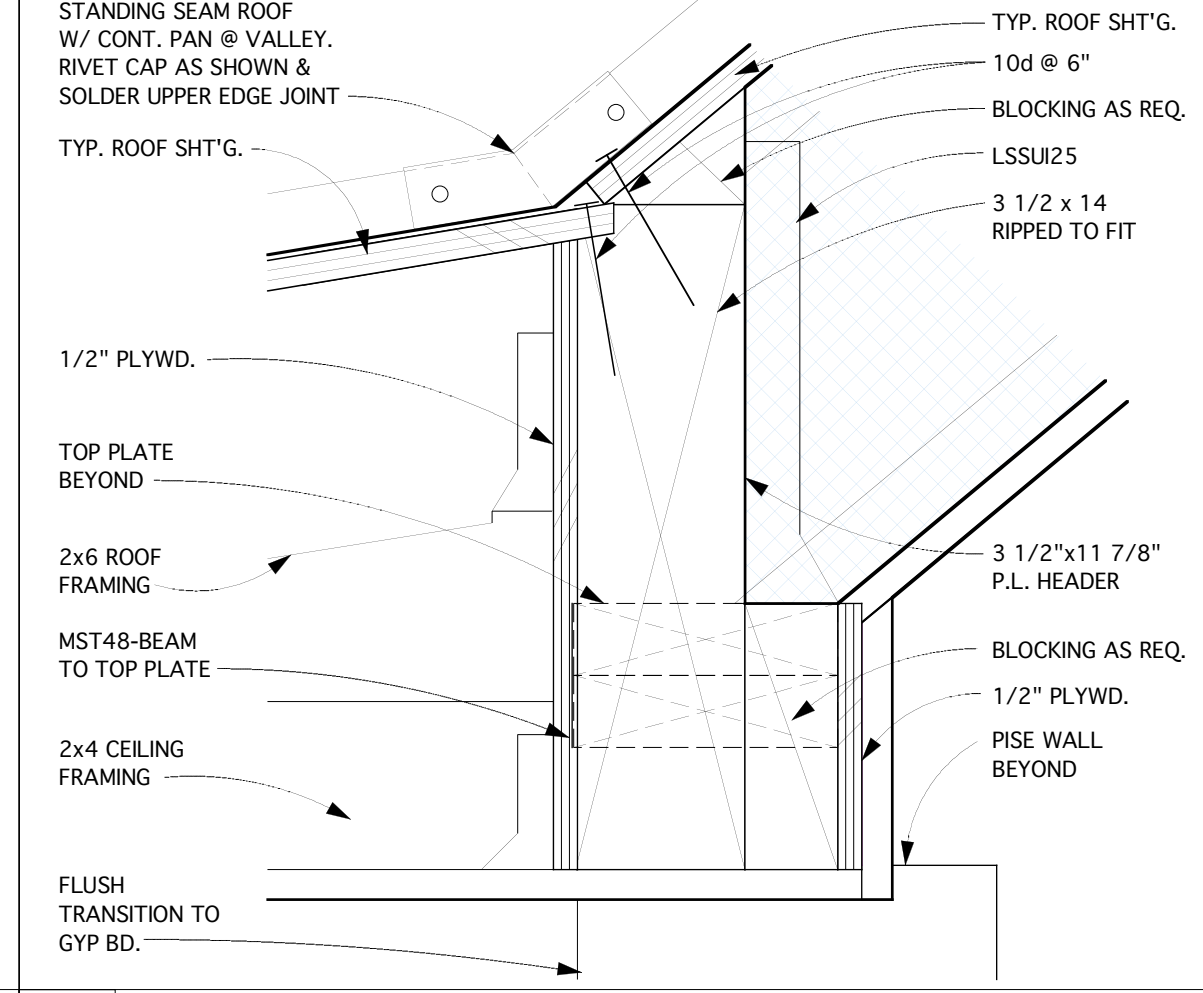
**3 BEAM @ DORMER**  
A6.3 SCALE: 2" = 1'-0"



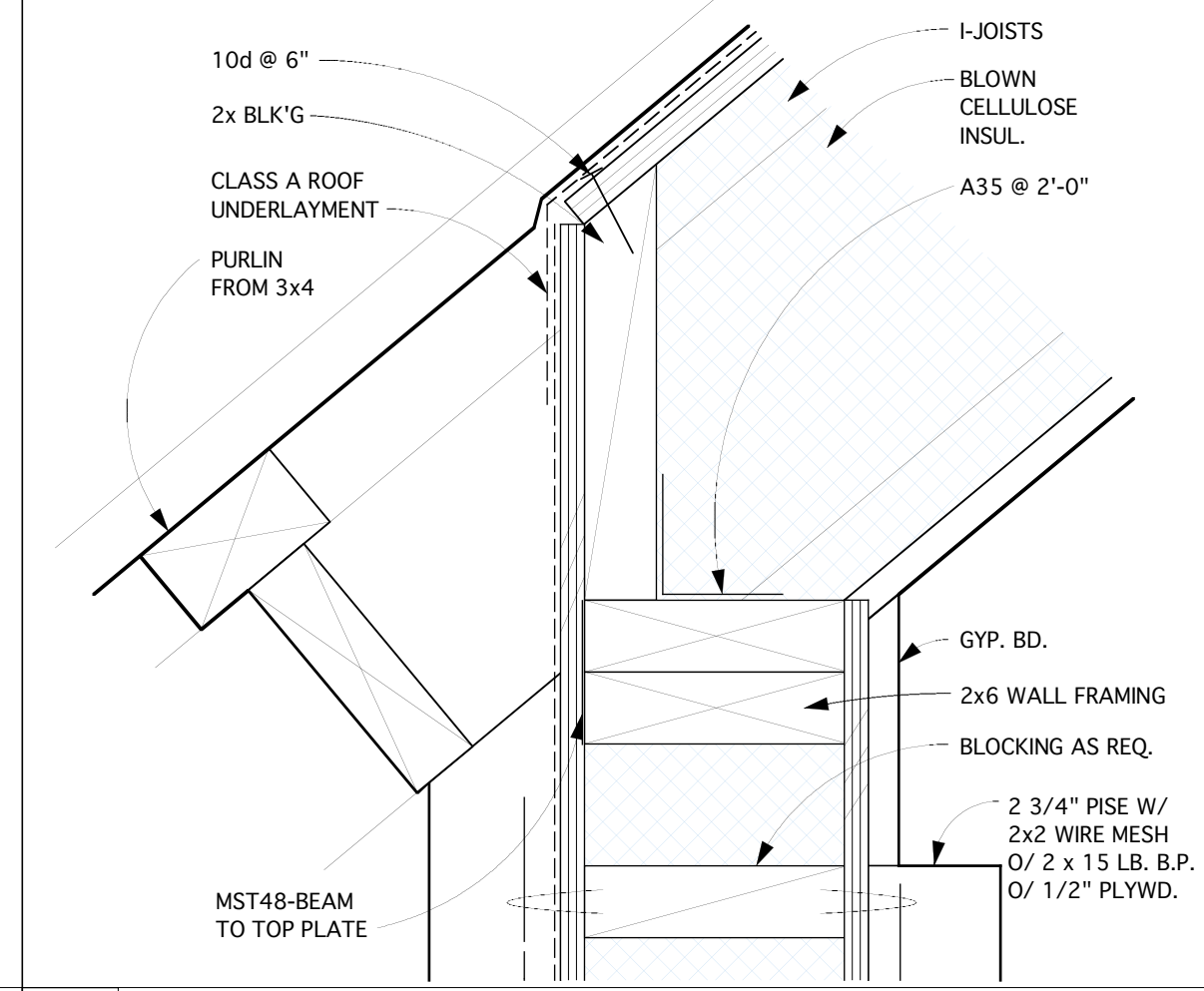
**18 LEDGER @ PORCH ROOF**  
A6.3 SCALE: 3" = 1'-0"



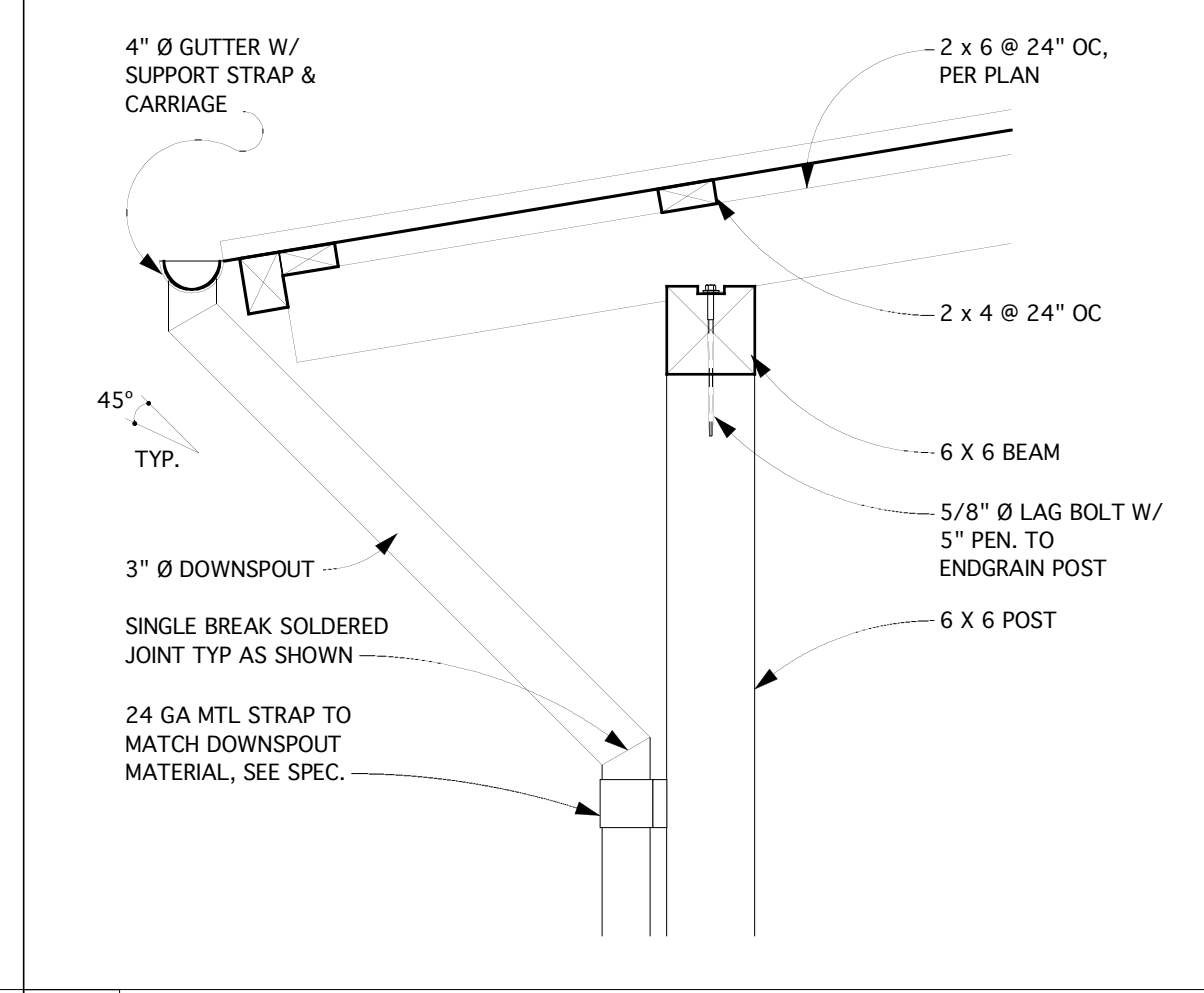
**14 SHORT EAVE SECTION**  
A6.3 SCALE: 3" = 1'-0"



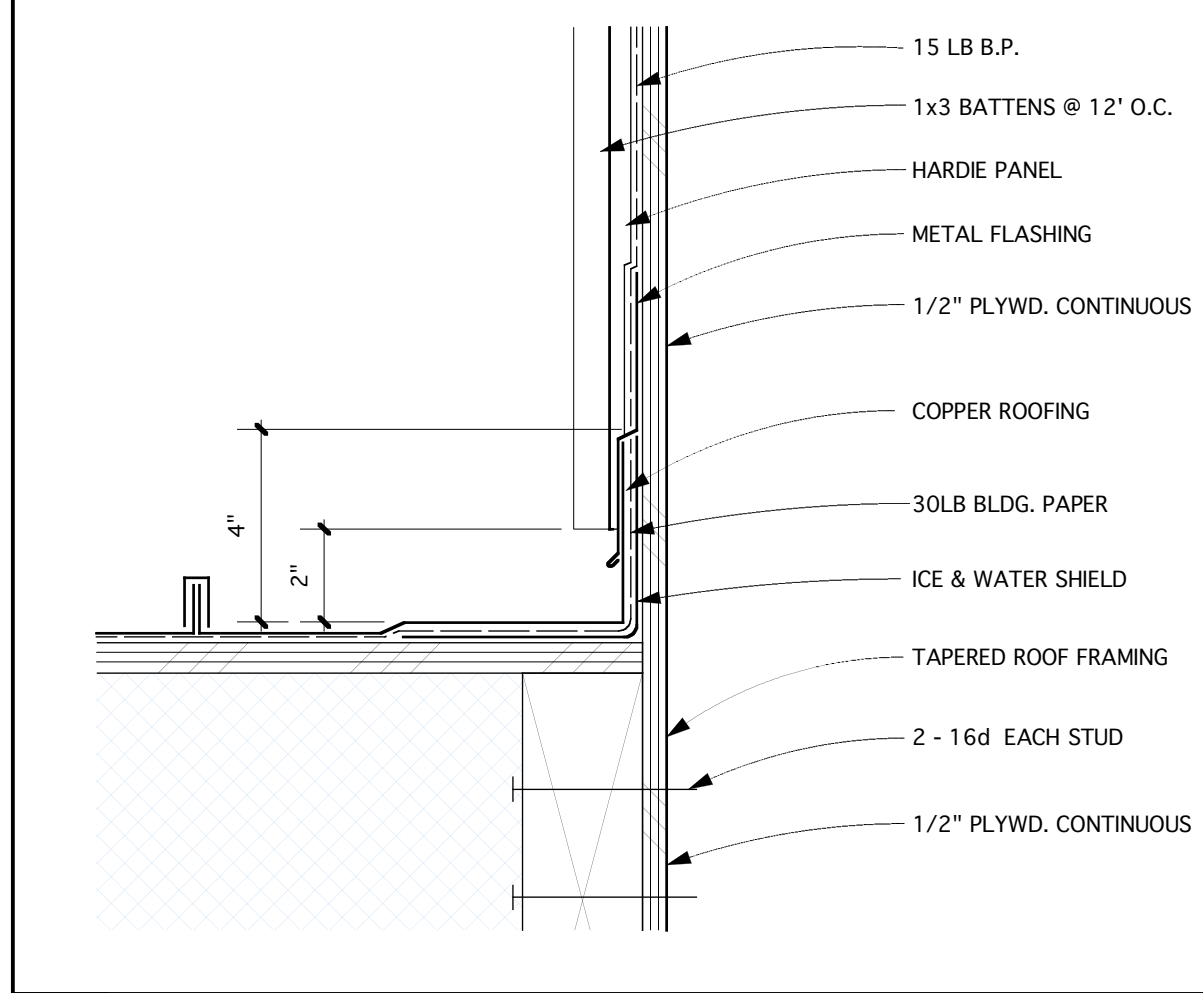
**10 ROOF VALLEY @ M. BR.**  
A6.3 SCALE: 3" = 1'-0"



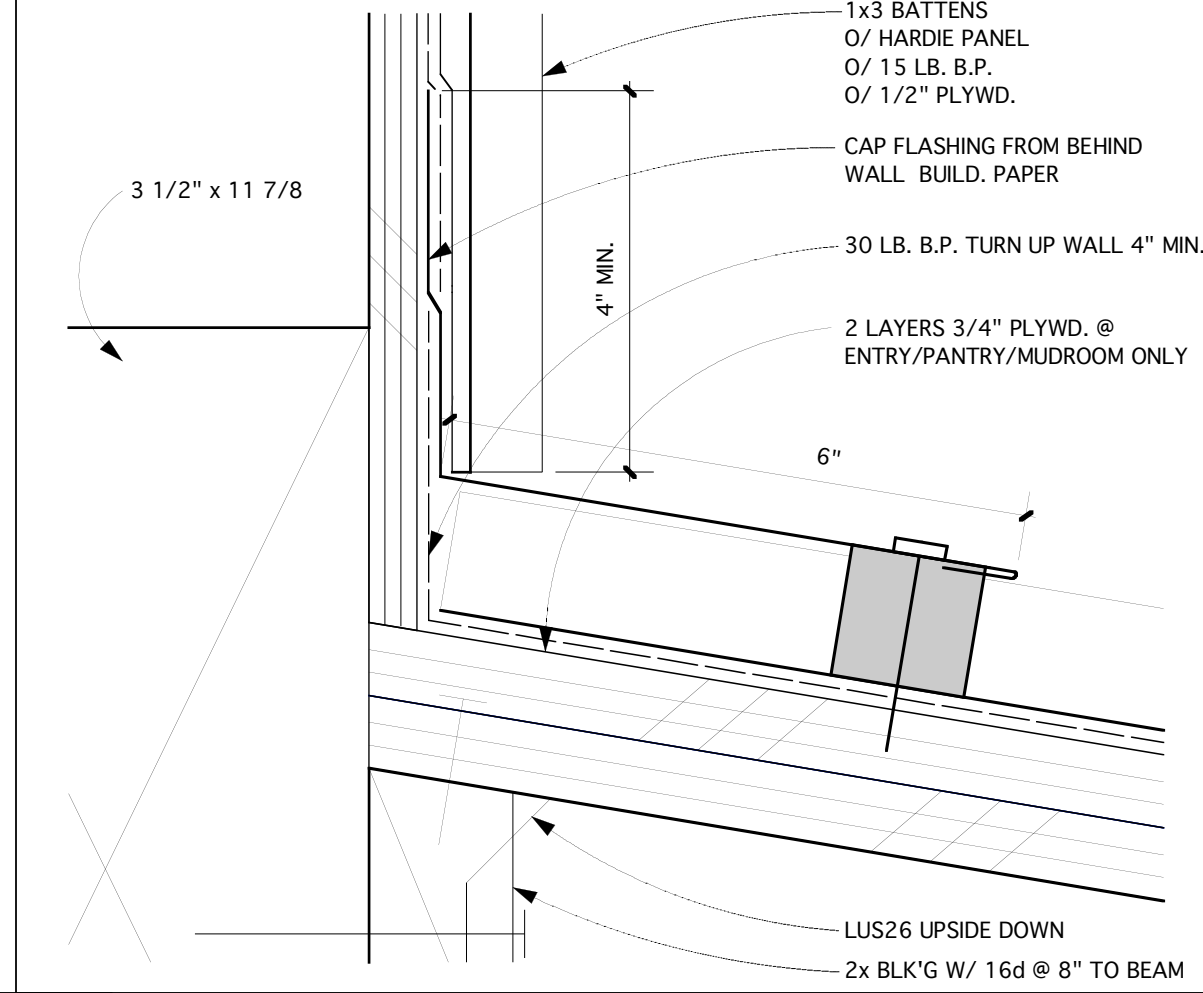
**6 EAVE @ M.BR.**  
A6.3 SCALE: 3" = 1'-0"



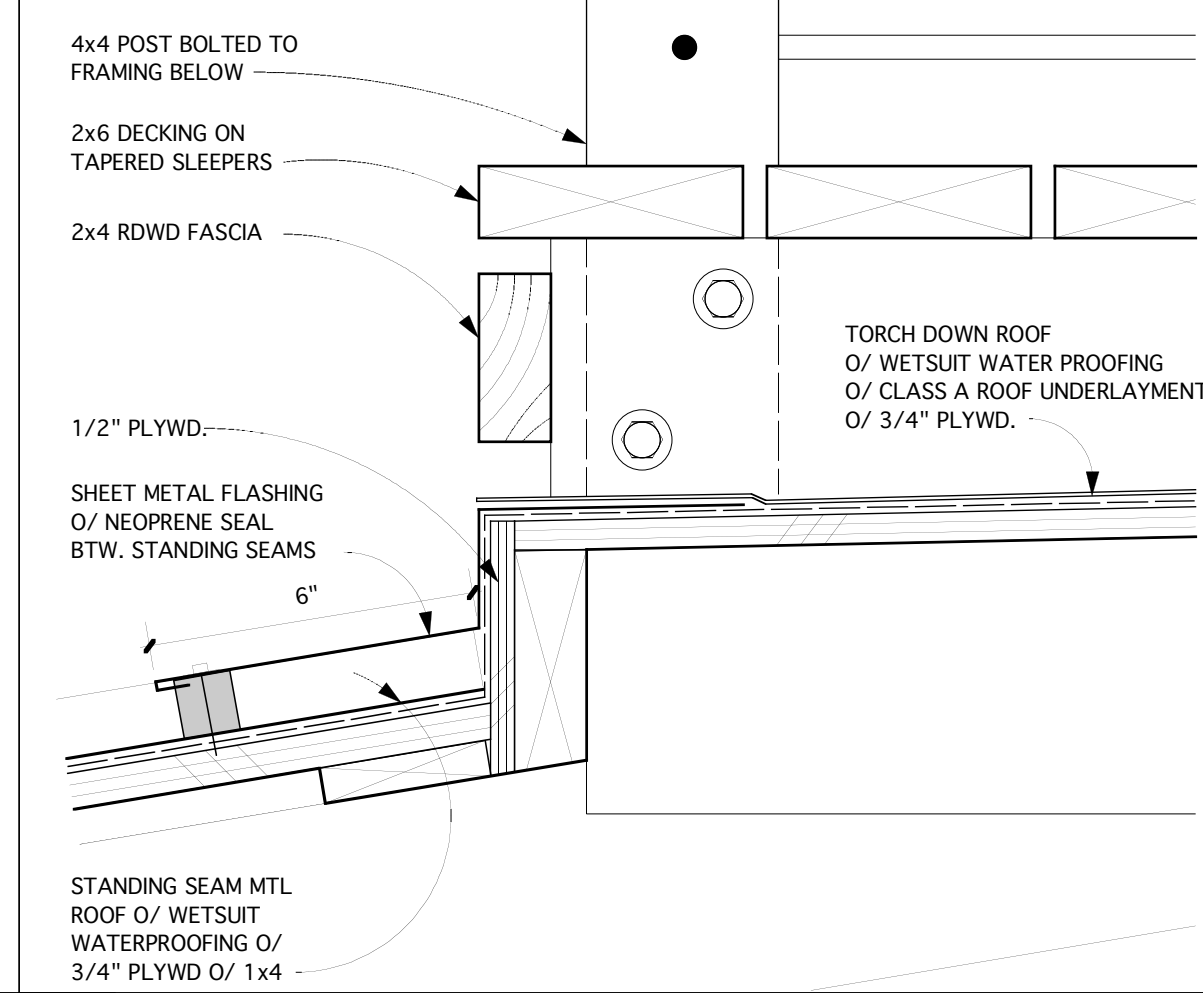
**2 ROOF @ VERANDA**  
A6.3 SCALE: 1" = 1'-0"



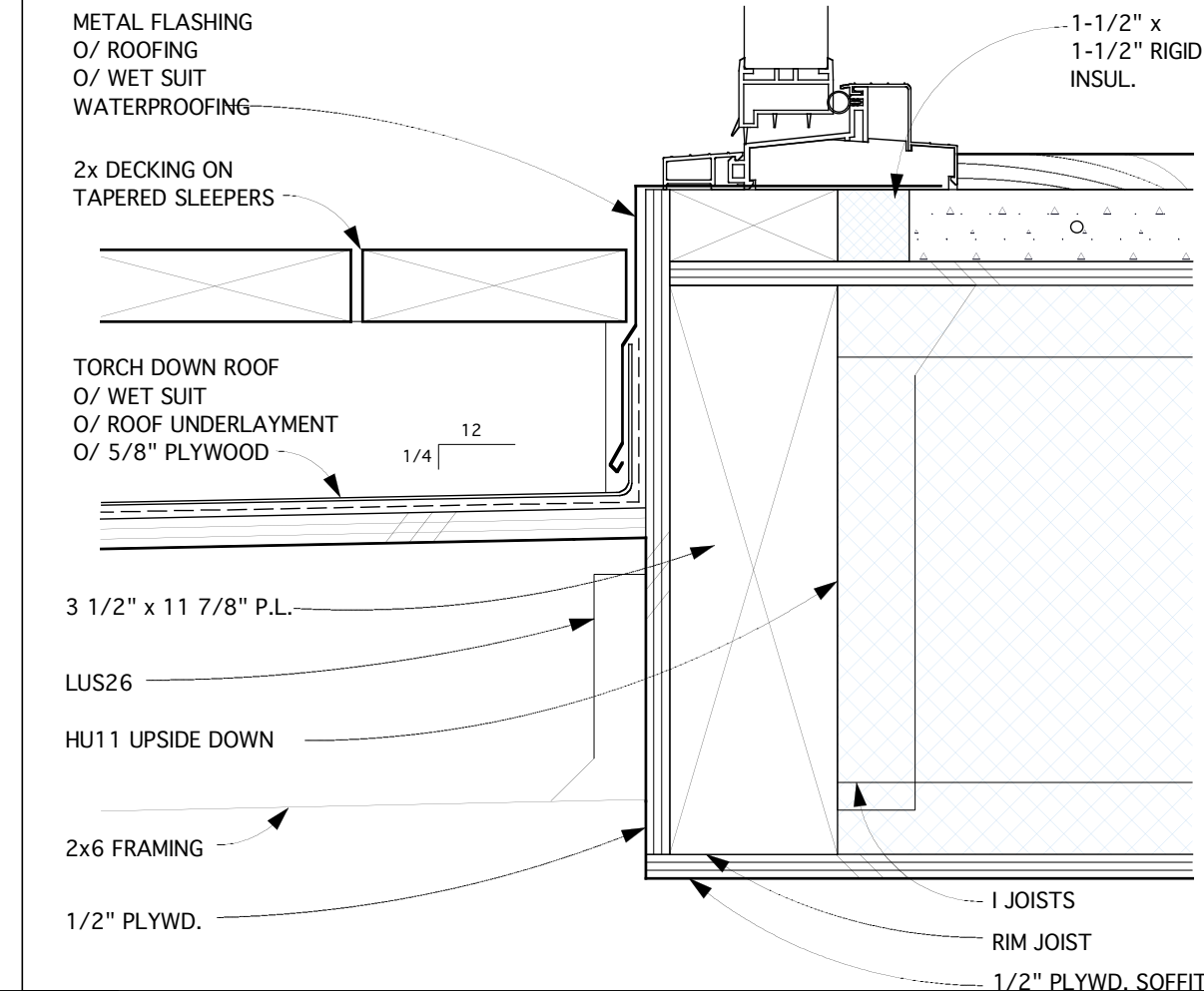
**17 EXT. WALL/ROOF**  
A6.3 SCALE: 3" = 1'-0"



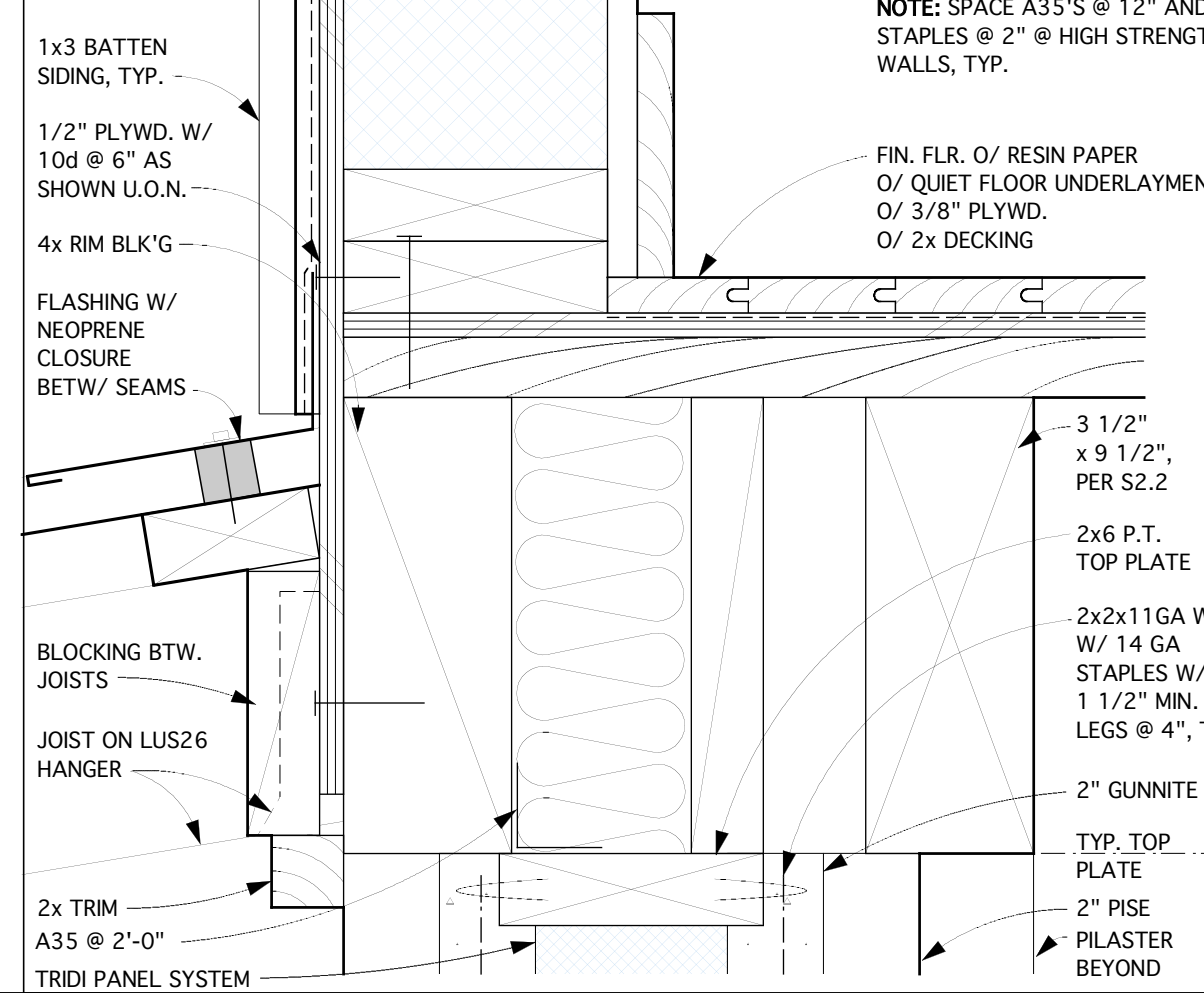
**13 ROOF @ ENTRY/PANTRY/MUDROOM**  
A6.3 SCALE: 6" = 1'-0"



**9 M. BEDROOM BALCONY**  
A6.3 SCALE: 3" = 1'-0"



**5 THRESHOLD @ M. BR.**  
A6.3 SCALE: 3" = 1'-0"



**1 SILL PLATE @ TRIDI WALL**  
A6.3 SCALE: 3" = 1'-0"

**ARKIN • TILT ARCHITECTS**

Ecological  
Planning  
& Design

1101 8th St.  
Suite 180  
Berkeley, CA 94710

telephone  
510.528.9830

facsimile  
510.528.0206

e mail  
info@arkintilt.com

website  
www.arkintilt.com

NEW RESIDENCE for  
**CINDY BICKERSTAFF & MARK HOLLER**  
1871 MOUNT VEEDEE ROAD  
NAPA, CA 94558  
A.P.N. 34-110-47

DETAILS

DATE: 03.15.06  
JOB: BH  
SCALE: AS NOTED  
DRAWN:  
SHEET: **A6.3**