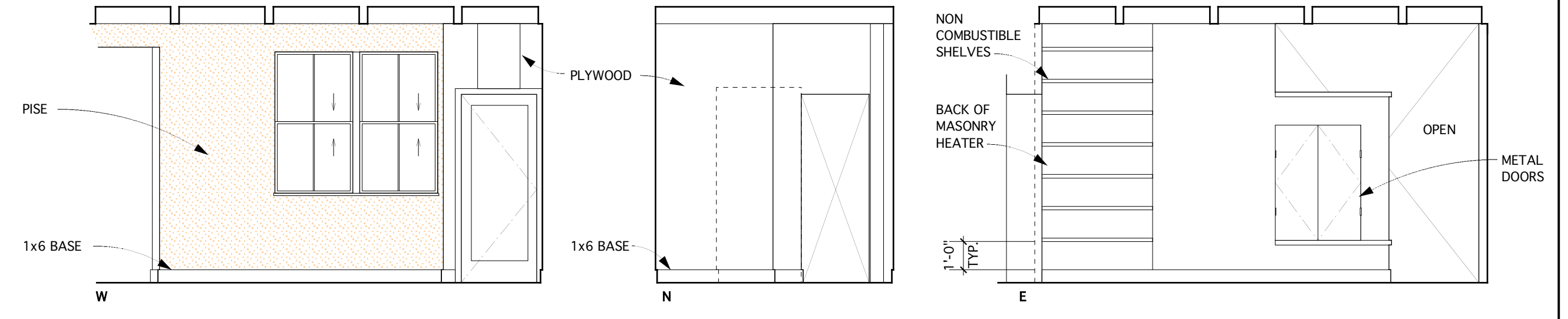
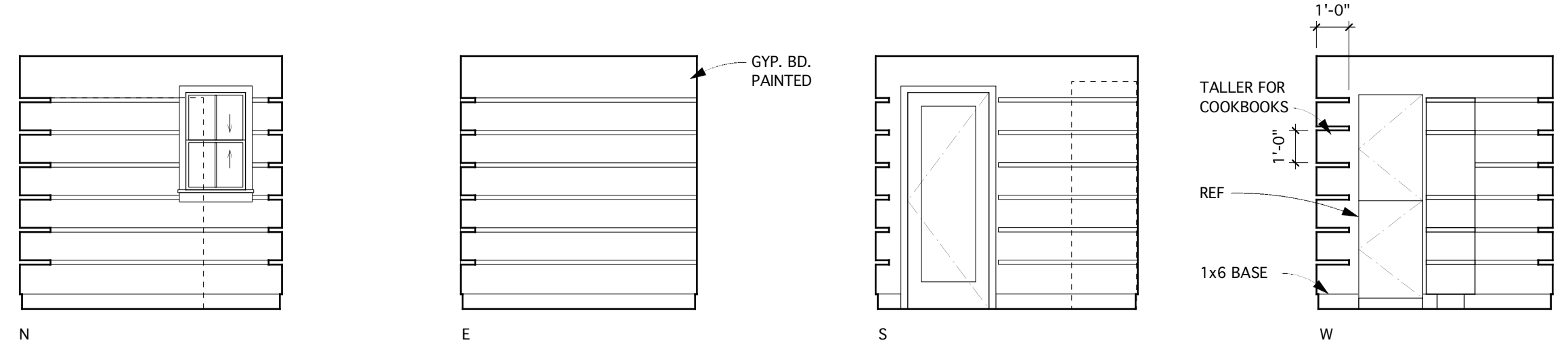


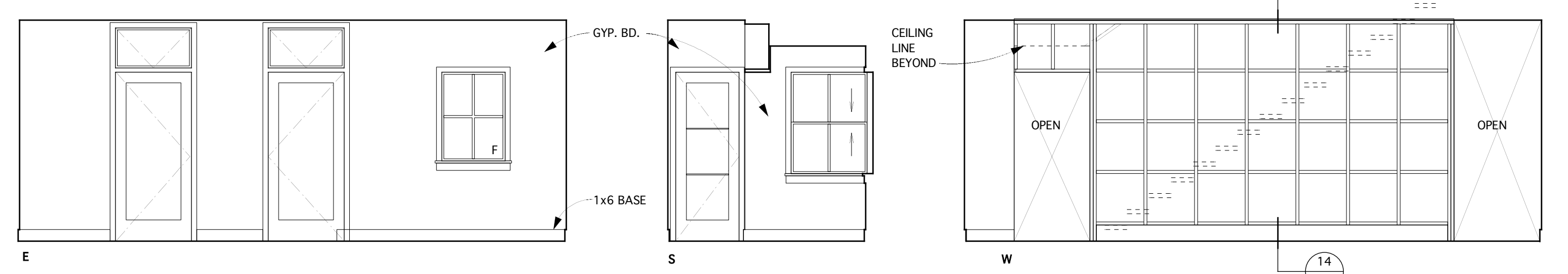
8 MAIN LEVEL - MUDROOM  
A5.0 SCALE: 1/4" = 1'-0"



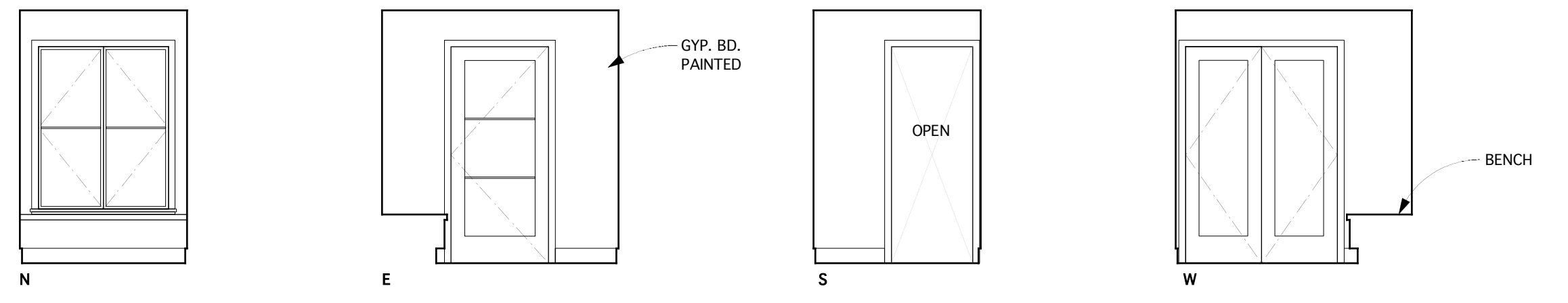
3 MAIN LEVEL - COMPUTER ROOM  
A5.0 SCALE: 1/4" = 1'-0"



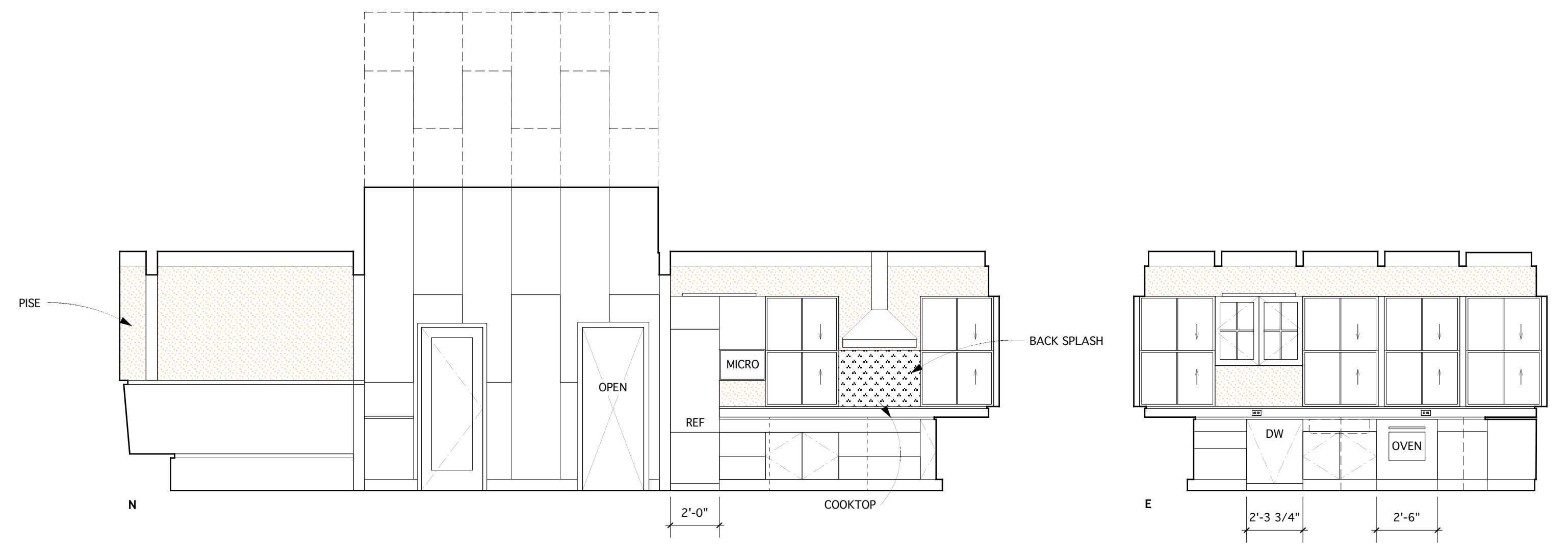
7 MAIN LEVEL - PANTRY  
A5.0 SCALE: 1/4" = 1'-0"



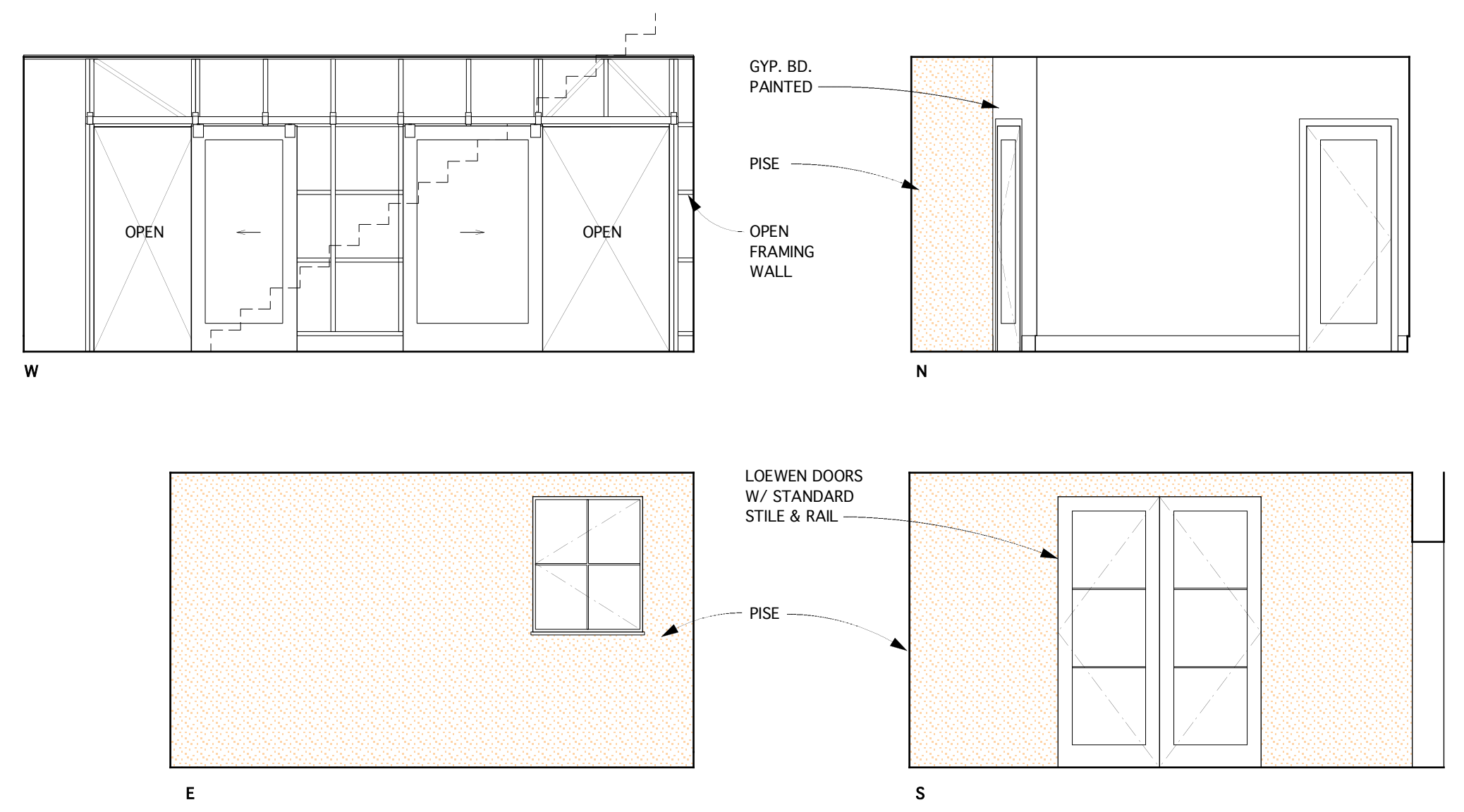
2 MAIN LEVEL - HALLWAY  
A5.0 SCALE: 1/4" = 1'-0"



6 MAIN LEVEL - FRONT ENTRY  
A5.0 SCALE: 1/4" = 1'-0"



5 MAIN LEVEL - KITCHEN ISLAND  
A5.0 SCALE: 1/4" = 1'-0"



4 LOWER LEVEL  
A5.0 SCALE: 1/4" = 1'-0"



1 MAIN LEVEL - KITCHEN  
A5.0 SCALE: 1/4" = 1'-0"



Arkintilt  
Architects  
Ecological  
Planning  
& Design

1101 8th St.  
Suite 180  
Berkeley, CA 94710

telephone  
510.528.9830

facsimile  
510.528.0206

e mail  
info@arkintilt.com

website  
www.arkintilt.com

NEW RESIDENCE for  
**CINDY BICKERSTAFF & MARK HOLLER**  
1877 MOUNT VEEDEER ROAD  
NAPA, CA 94558  
A.P.N. 34-110-47

INTERIOR ELEVATIONS

DATE: 03.15.06  
JOB: BH  
SCALE: AS NOTED  
DRAWN:  
SHEET:

A5.0